

KSDA55/110/700



Short description

Channel sound absorber 55/110, W = 260,

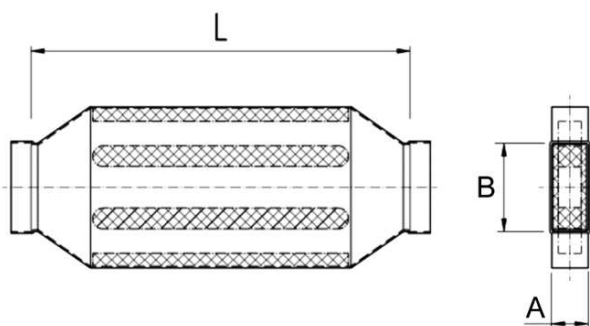
Article number

0092.0464

Technical data

Housing material	Sheet steel, Sendzimir galvanised
Channel dimension	110 mm x x 55 mm
Width	260 mm
Height	
Depth	
Packing unit	1 piece
Range	K
GTIN (EAN)	4012799924647

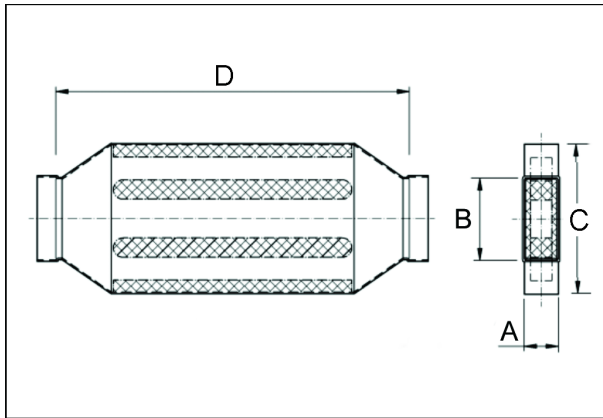
Dimensioned drawing [mm]



A	B	C	D
55	110	260	700

KSDA55/110/700

Dimensioned drawing [mm]



A	B	C	D
55	110	260	700