

# KSDA80/100/700



## Short description

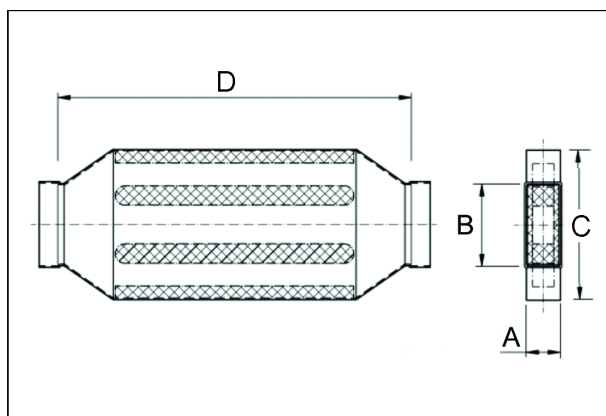
Channel sound absorber 80/100, W = 230,

Article number 0092.0466

## Technical data

Housing material	Sheet steel, Sendzimir galvanised
Weight including packaging	0 kg
Channel dimension	100 mm x x 80 mm
Width	270 mm
Height	
Depth	
Width with packaging	0 mm
Height with packaging	0 mm
Depth with packaging	0 mm
Packing unit	1 piece
Range	K
GTIN (EAN)	4012799924661

## Dimensioned drawing [mm]



A	B	C	D
80	100	270	700