

# KSDA80/150/700



## Short description

Channel sound absorber 80/150, W = 360,

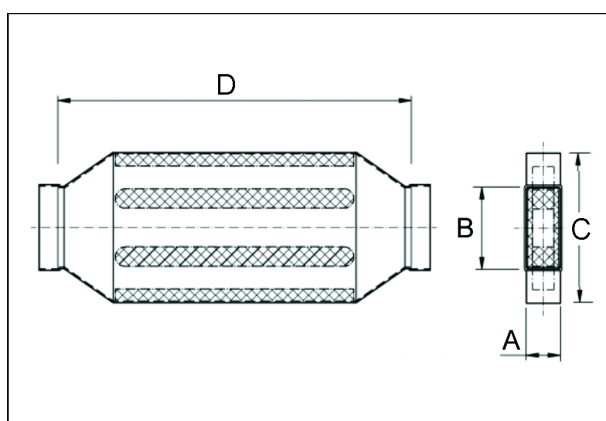
Article number

0092.0467

## Technical data

Housing material	Sheet steel, Sendzimir galvanised
Channel dimension	150 mm x x 80 mm
Width	360 mm
Height	
Depth	
Packing unit	1 piece
Range	K
GTIN (EAN)	4012799924678

## Dimensioned drawing [mm]



A	B	C	D
80	150	360	700