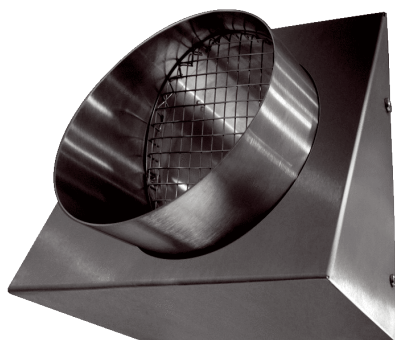


KW-FL 12E



Short description

Outgoing air wall supports, DN 125, colour brushed stainless steel

Application examples

Single-family house, Multiple family unit, New build, Redevelopment

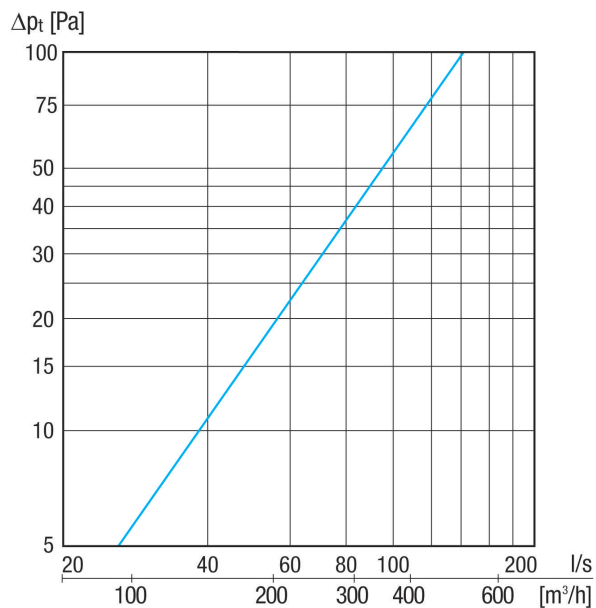
Article number 0152.0075

Technical data

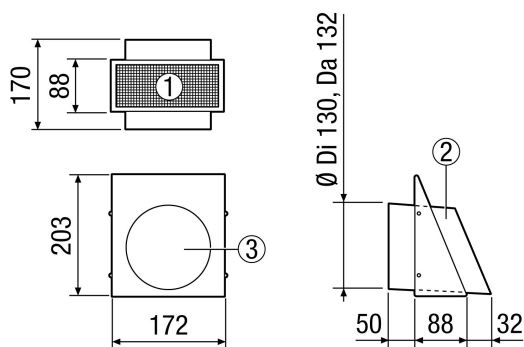
Air direction	Air extraction
Installation site	Outside wall
Material	Stainless steel (V2A)
Colour	Stainless steel, brushed
Weight	1,13 kg
Weight including packaging	1,28 kg
Nominal size	125 mm
Width	172 mm
Height	203 mm
Depth	88 mm
Width with packaging	180 mm
Height with packaging	215 mm
Depth with packaging	190 mm
Packing unit	1 piece
Range	K
GTIN (EAN)	4012799520757

KW-FL 12E

Characteristic curve



Dimensioned drawing [mm]



- ① View from below
- ② Side view (outgoing air socket)
- ③ Front view - outgoing air socket