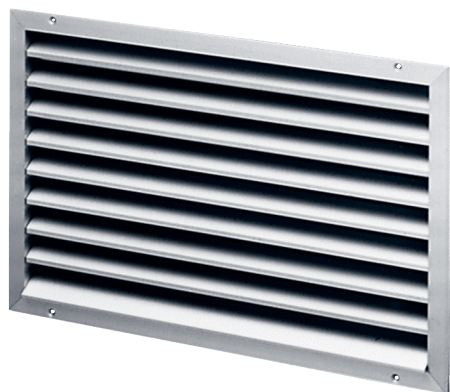


LAP 22



Short description

External grille, aluminium, channel dimension 500 x 250 mm

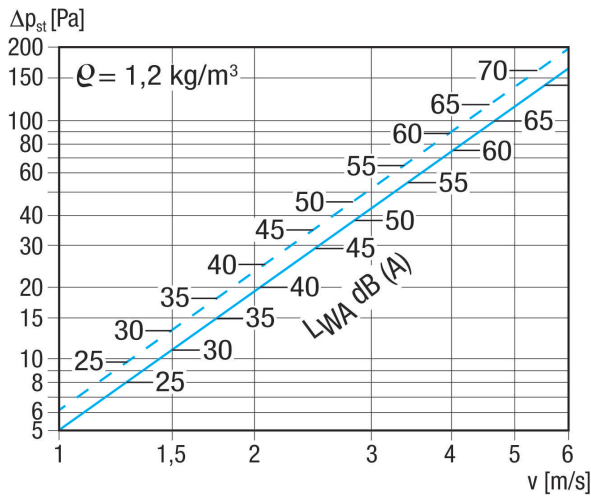
Article number 0151.0250

Technical data

Air direction	Ventilation and air extraction
Installation	outside
Installation site	Wall / Channel
Material	Aluminium
Colour	Anodised aluminium
Weight	4,6 kg
Weight including packaging	4,93 kg
Channel dimension	500 mm x 250 mm
Width with packaging	600 mm
Height with packaging	110 mm
Depth with packaging	330 mm
Packing unit	1 piece
Range	D
GTIN (EAN)	4012799512509

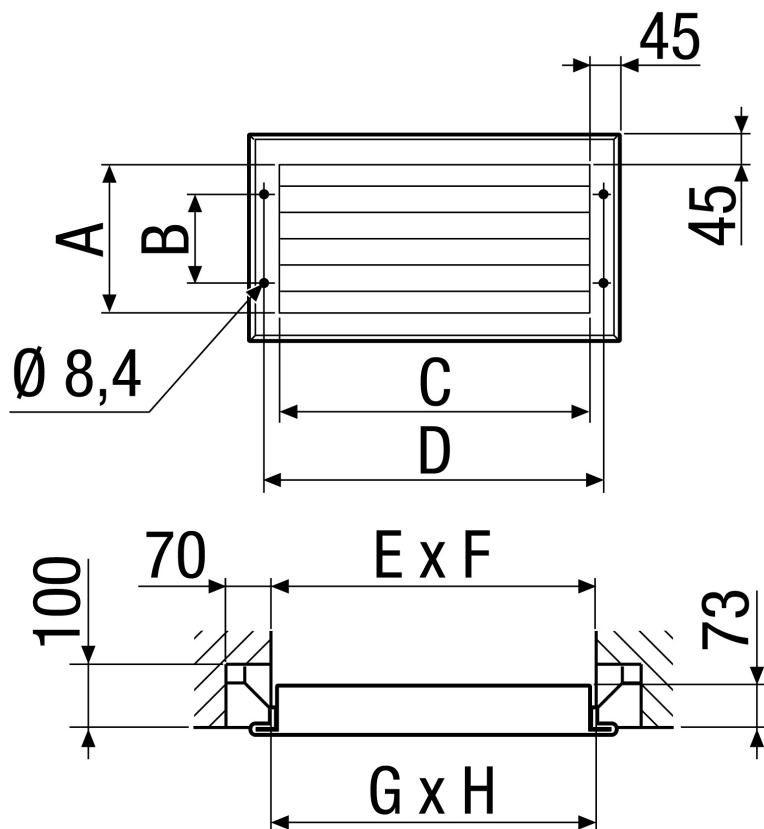
LAP 22

Characteristic curve Pressure losses



Dashed line: Pressure loss, drawing in
 Solid line: Pressure loss, pushing

Dimensioned drawing [mm]



A	B	C	D	E	F	G	H
235	125	485	529	510	260	500	250

LAP 22

