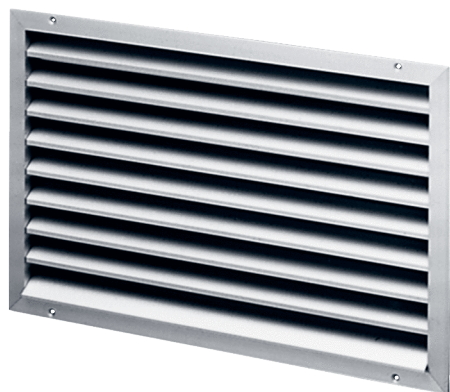


# LAP 25



## Short description

External grille, aluminium, channel dimension 500 x 300 mm

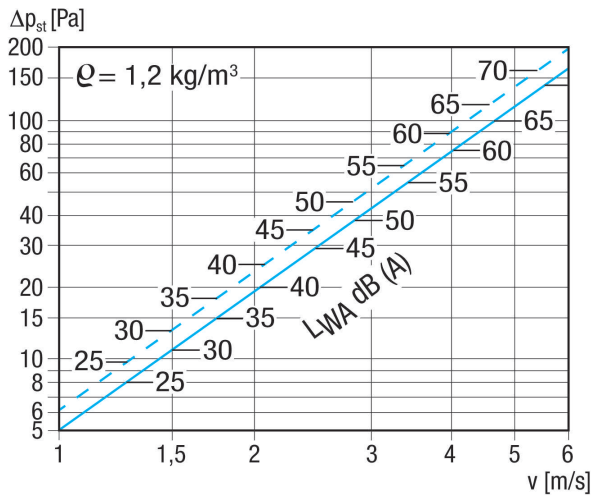
Article number 0151.0251

## Technical data

Air direction	Ventilation and air extraction
Installation	outside
Installation site	Wall / Channel
Material	Aluminium
Colour	Anodised aluminium
Weight	5,1 kg
Weight including packaging	5,535 kg
Channel dimension	500 mm x 300 mm
Width	529 mm
Height	375 mm
Depth	73 mm
Width with packaging	625 mm
Height with packaging	385 mm
Depth with packaging	95 mm
Packing unit	1 piece
Range	D
GTIN (EAN)	4012799512516

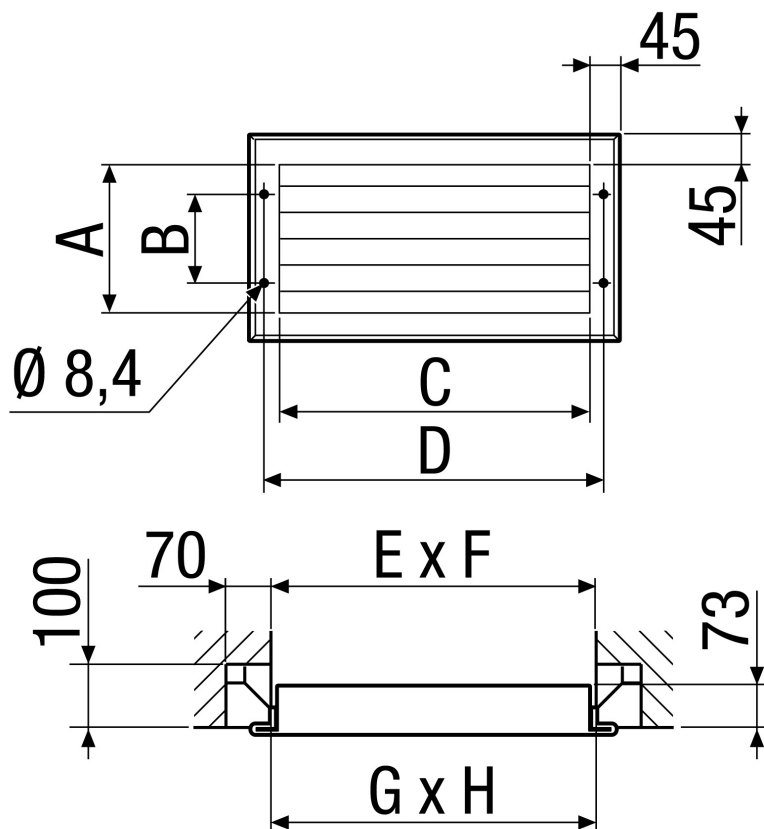
# LAP 25

## Characteristic curve Pressure losses



Dashed line: Pressure loss, drawing in  
 Solid line: Pressure loss, pushing

## Dimensioned drawing [mm]



A	B	C	D	E	F	G	H
285	175	485	529	510	310	500	300

# LAP 25

