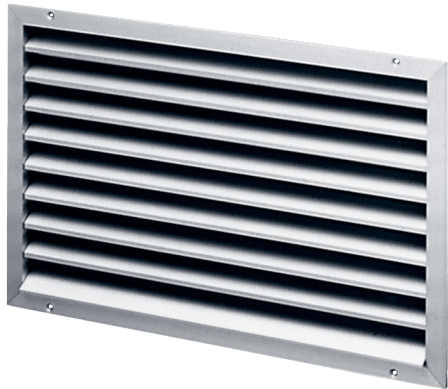


LAP 28



Short description

External grille, aluminium, channel dimension 600 x 300 mm

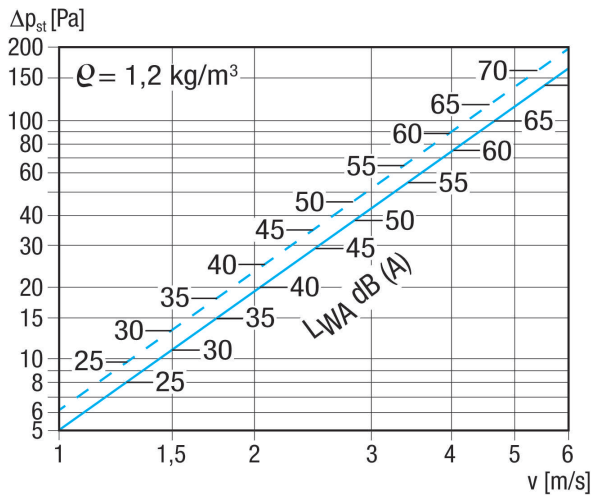
Article number 0151.0252

Technical data

Air direction	Ventilation and air extraction
Installation	outside
Installation site	Wall / Channel
Material	Aluminium
Colour	Anodised aluminium
Weight	5,3 kg
Weight including packaging	5,765 kg
Channel dimension	600 mm x 300 mm
Width	629 mm
Height	375 mm
Depth	73 mm
Width with packaging	690 mm
Height with packaging	380 mm
Depth with packaging	110 mm
Packing unit	1 piece
Range	D
GTIN (EAN)	4012799512523

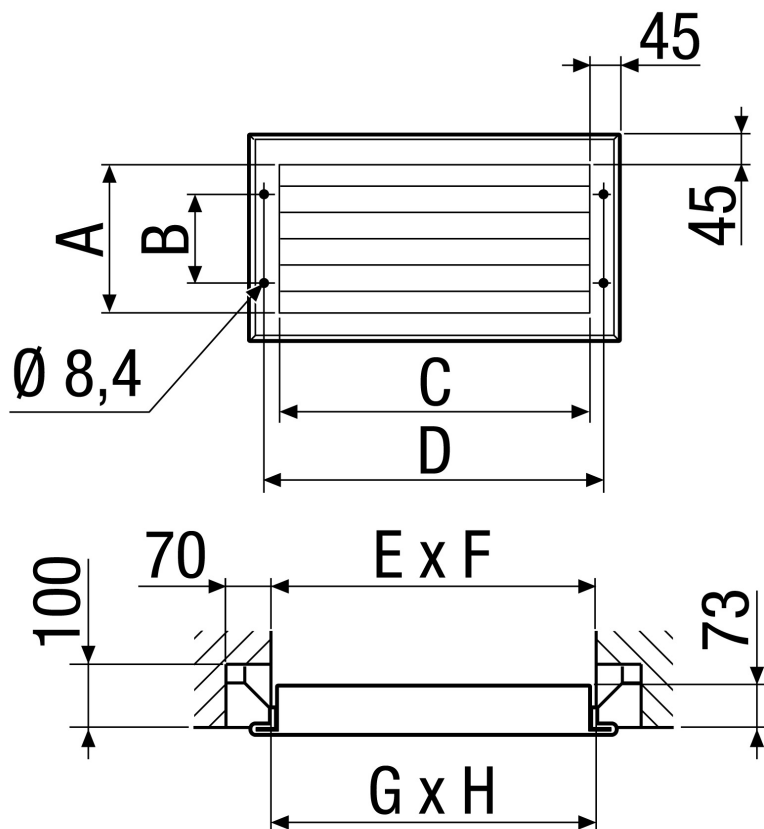
LAP 28

Characteristic curve Pressure losses



Dashed line: Pressure loss, drawing in
Solid line: Pressure loss, pushing

Dimensioned drawing [mm]



A	B	C	D	E	F	G	H
285	175	585	629	610	310	600	300

LAP 28

