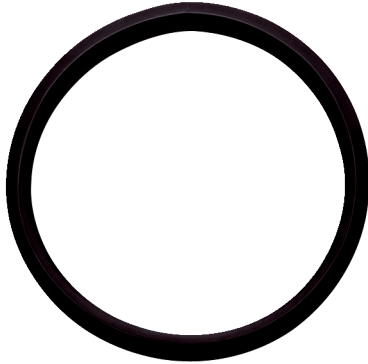


# LD 150



## Short description

Lip seal for folded spiral-seams ducts, DN 150

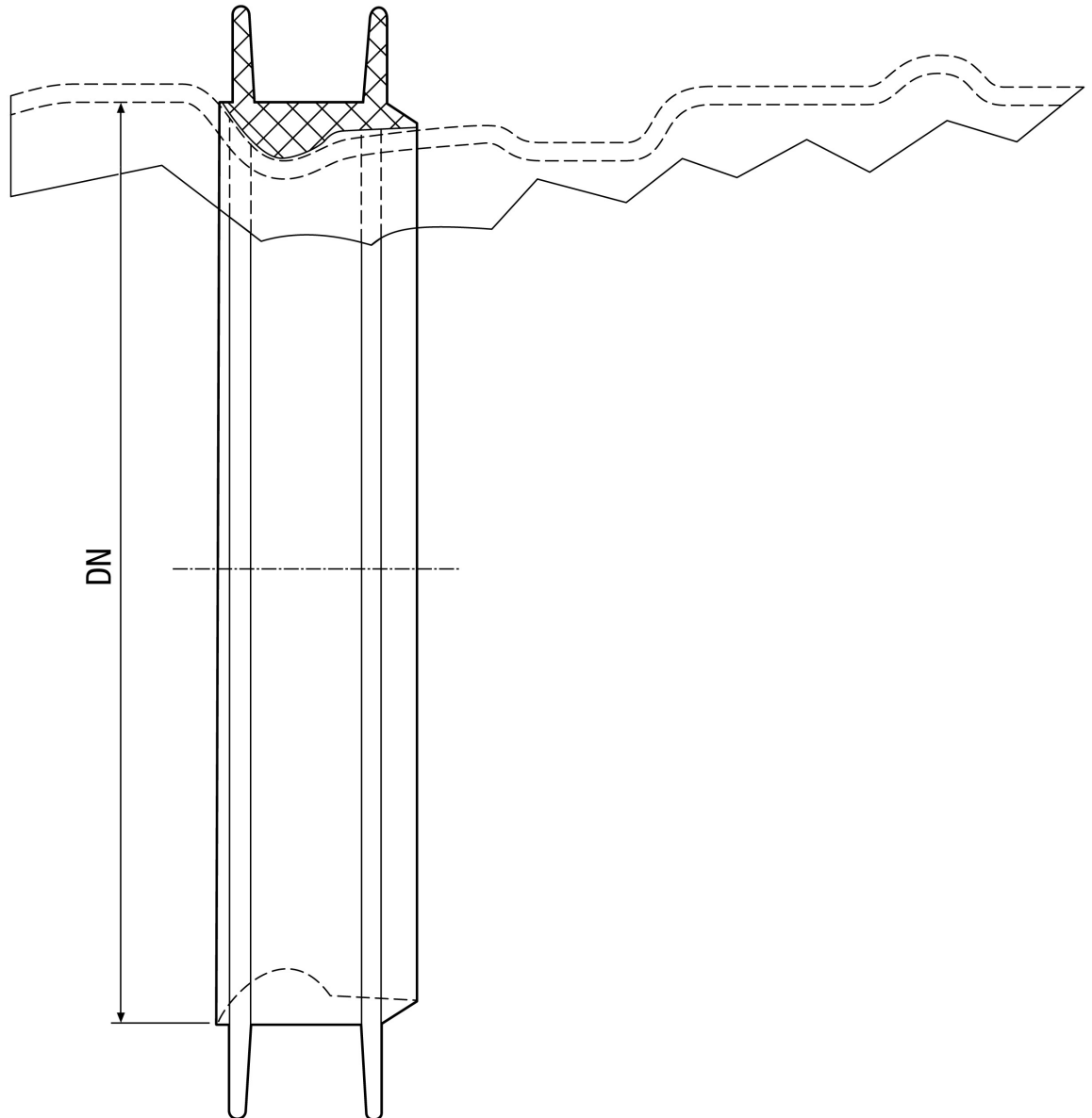
Article number 0175.0272

## Technical data

Type of installation	Recessed-mounted
Material	EPDM rubber
Nominal size	150 mm
Ambient temperature	60 °C
Packing unit	1 piece
Range	K
GTIN (EAN)	4012799752721

# LD 150

Dimensioned drawing [mm]



DN  
150