

# LD 160



## Short description

Duct/adaptor ventilation cover, DN 160

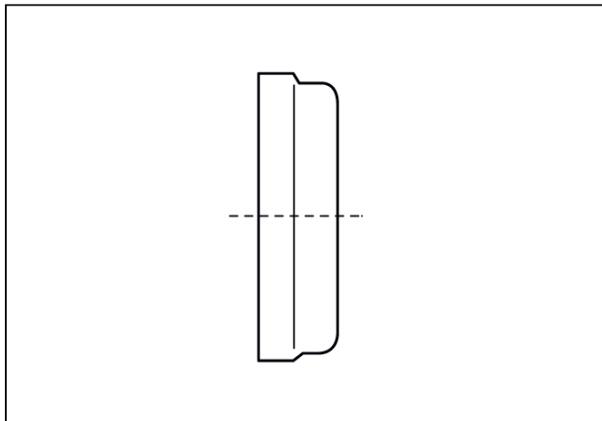
Article number

0018.0329

## Technical data

Type of installation	Recessed-mounted
Ambient temperature	60 °C
Packing unit	1 piece
Range	K
GTIN (EAN)	4012799183297

## Dimensioned drawing [mm]



DN

160