

LD 200



Short description

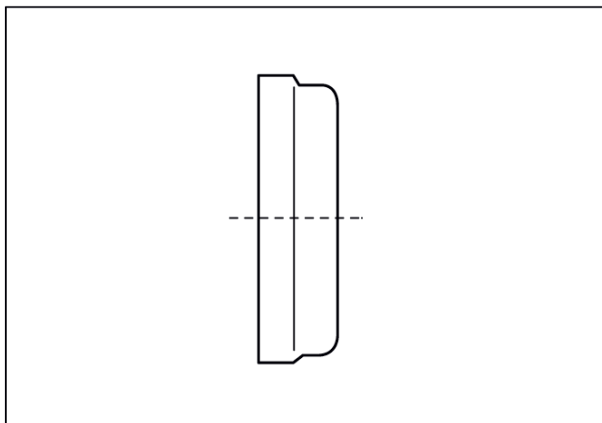
Duct/adaptor ventilation cover, DN 200

Article number 0018.0331

Technical data

Type of installation	Recessed-mounted
Ambient temperature	60 °C
Packing unit	1 piece
Range	K
GTIN (EAN)	4012799183310

Dimensioned drawing [mm]



DN
200