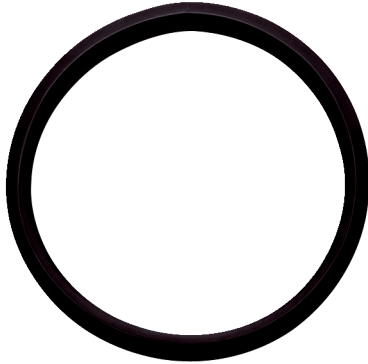


# LD 200



## Short description

Lip seal for folded spiral-seams ducts, DN 200

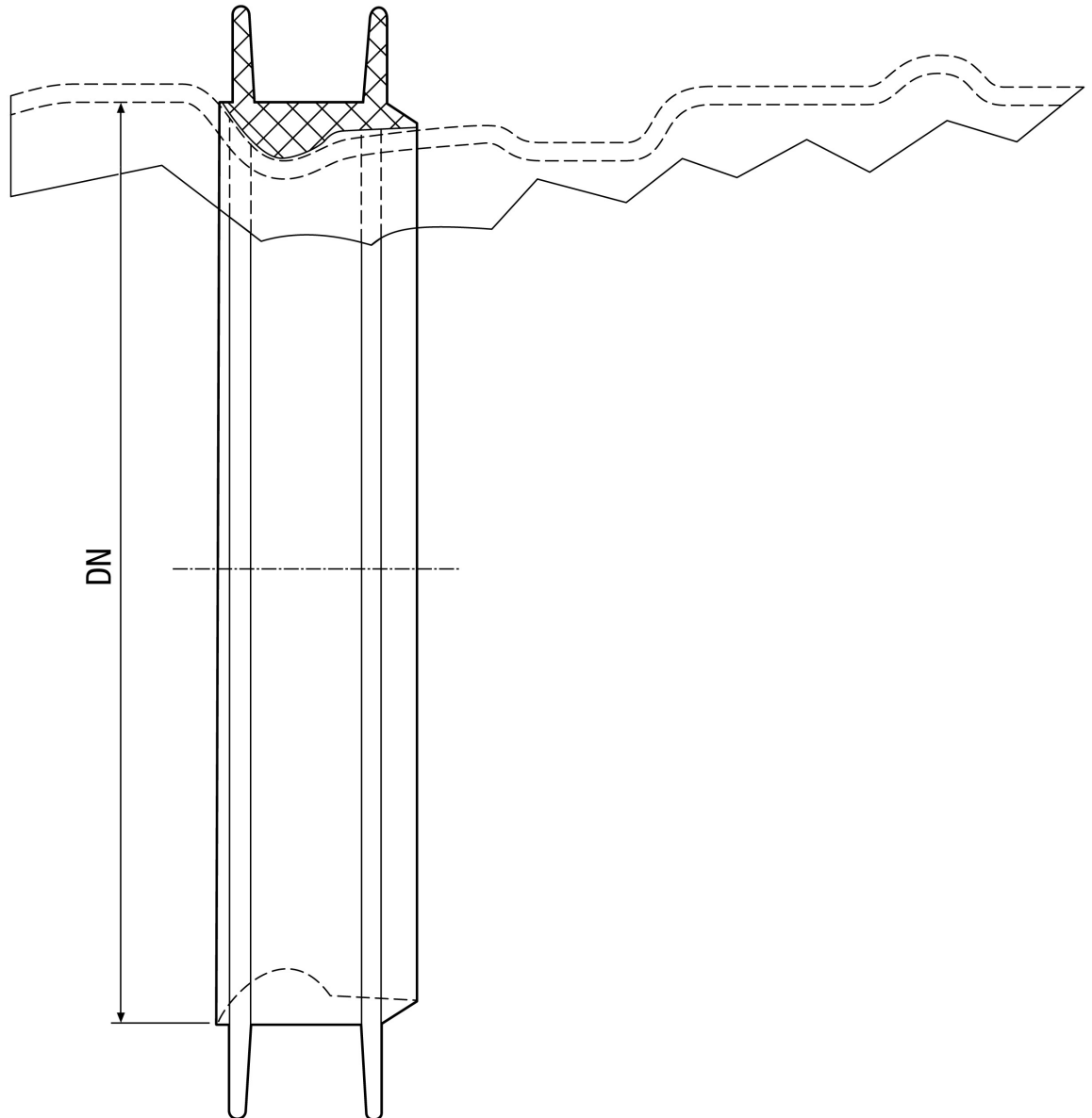
Article number 0175.0275

## Technical data

|                      |                  |
|----------------------|------------------|
| Type of installation | Recessed-mounted |
| Material             | EPDM rubber      |
| Nominal size         | 200 mm           |
| Ambient temperature  | 60 °C            |
| Packing unit         | 1 piece          |
| Range                | K                |
| GTIN (EAN)           | 4012799752752    |

# LD 200

Dimensioned drawing [mm]



---

DN  
200