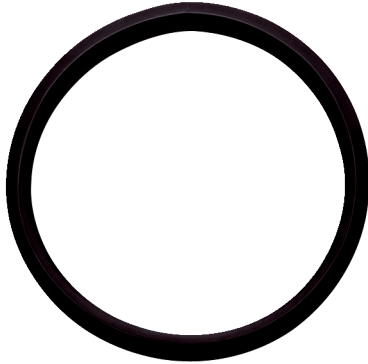


LD 80



Short description

Lip seal for folded spiral-seams ducts, DN 80

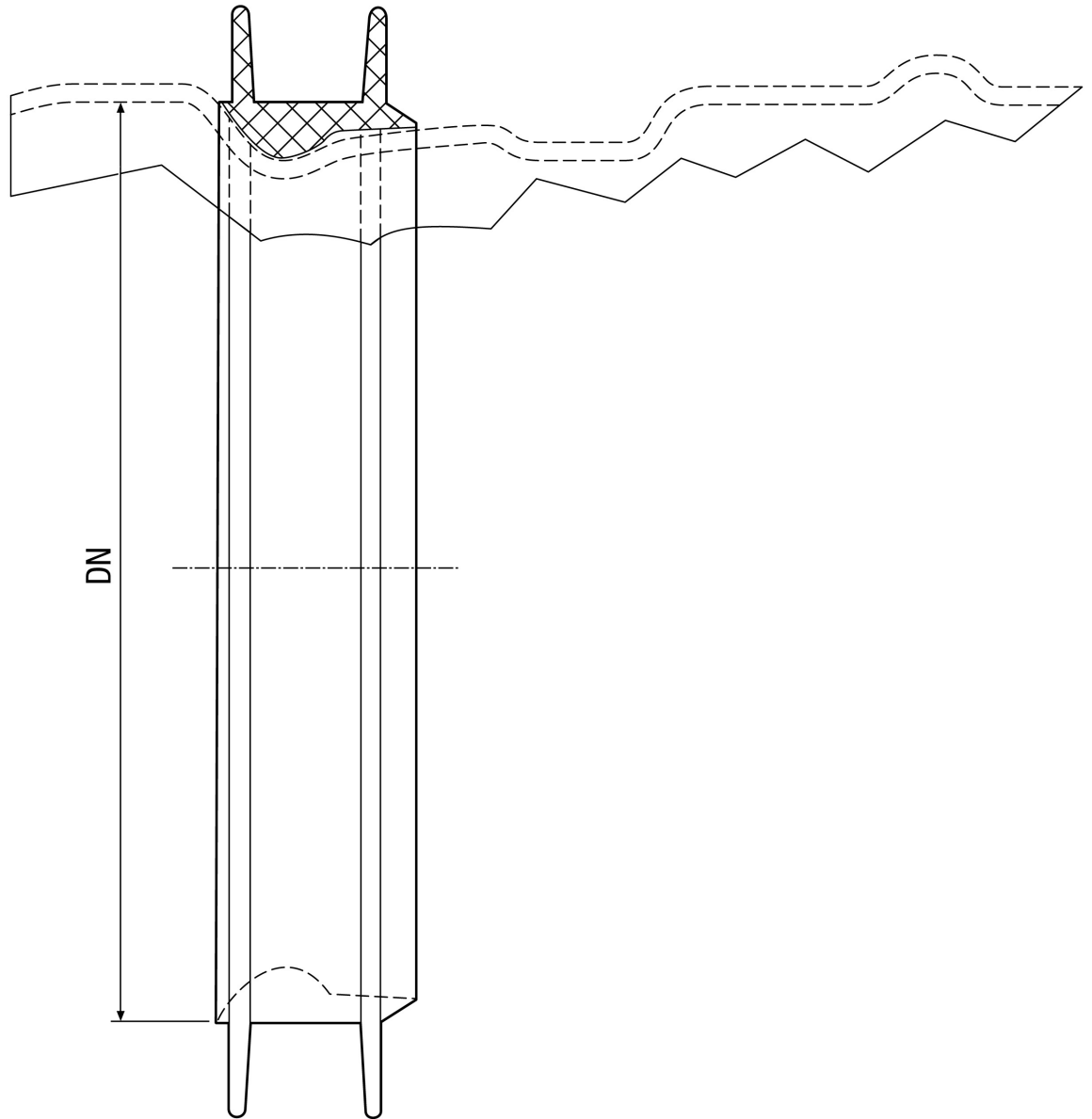
Article number 0175.0269

Technical data

Type of installation	Recessed-mounted
Material	EPDM rubber
Nominal size	80 mm
Ambient temperature	60 °C
Packing unit	1 piece
Range	K
GTIN (EAN)	4012799752691

LD 80

Dimensioned drawing [mm]



DN
80