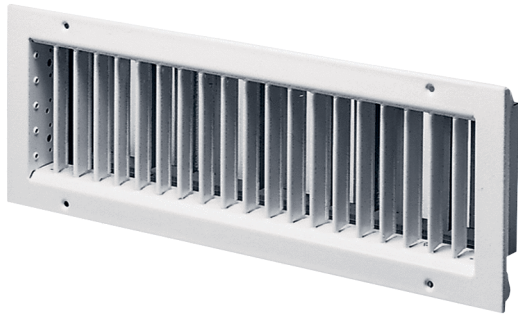


LGA 42/12



Short description

Exhaust air grille for combination with EK 42/12 installation box

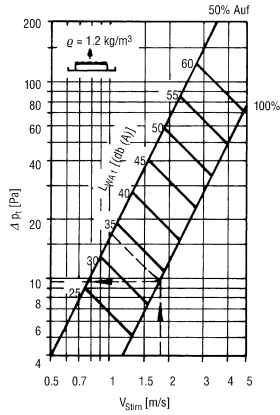
Article number 0151.0260

Technical data

Air direction	Air extraction
Practical air throughput at 75% opening of the slot slide	100 m ³ /h - 350 m ³ /h
Installation	Inside
Installation site	Wall / Channel
Material	Sheet steel, stove-enamelled
Colour	light grey
Weight	1,67 kg
Weight including packaging	1,88 kg
Width	450 mm
Height	160 mm
Depth	61 mm
Width with packaging	485 mm
Height with packaging	175 mm
Depth with packaging	95 mm
Packing unit	1 piece
Range	D
GTIN (EAN)	4012799512608

LGA 42/12

Characteristic curve Static pressure difference and acoustic data



Stirnfläche (m²)

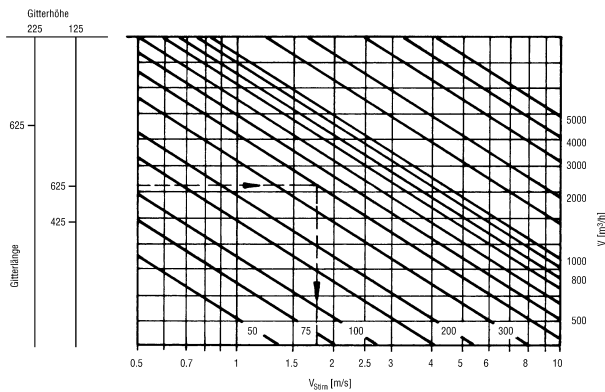
Höhe	Länge	625
125	0,041	0,061
225	-	0,112

- Δ Pt (Pa) = Druckverlust
- L_{WA1} [dB(A)] = bewerteter Schalleistungspegel bezogen auf A_{Stirn} = 0,08 m²
- w_{Stirn} (m/s) = Ansauggeschwindigkeit bezogen auf A_{Stirn}
- kf [dB(A)] = Korrekturfaktor
- A_{Stirn} (m²) = Stirnfläche
- L_{WA} = L_{WA1} + kf
- w_k (m/s) = Kanalgeschwindigkeit

Korrekturfaktor:

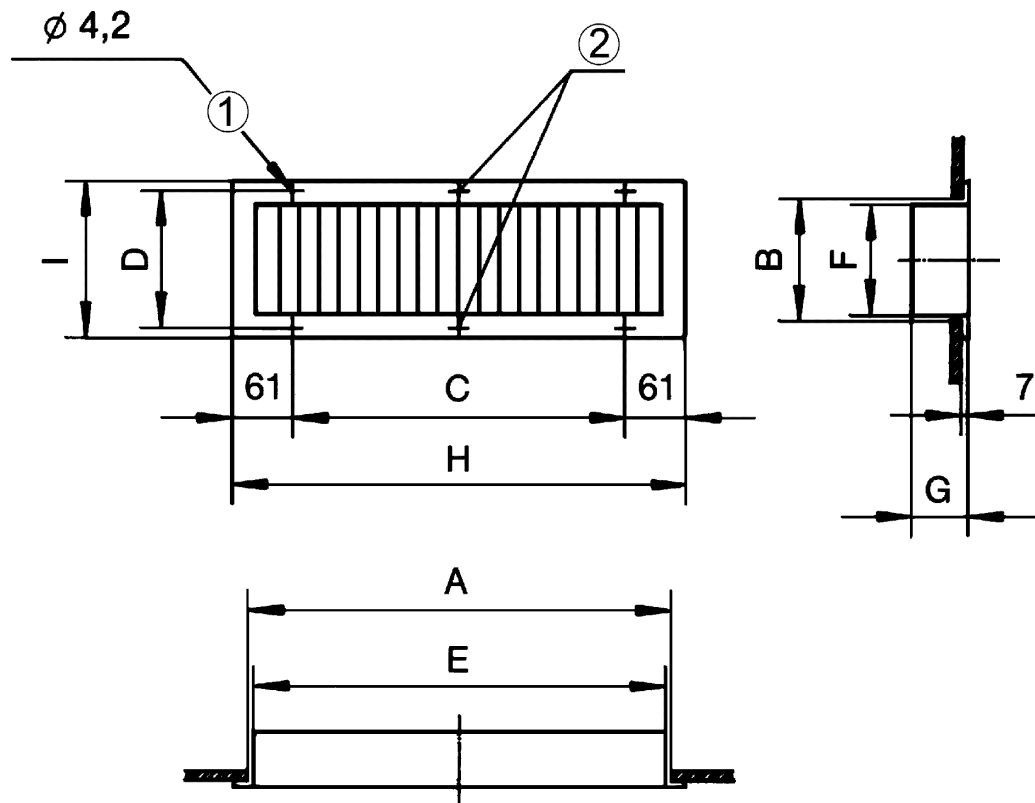
A _{Stirn} (m ²)	.04	.06	.11
kf [dB(A)]	-3	0	+2

Characteristic curve Volumetric flow in countercurrent with frontal velocity



LGA 42/12

Dimensioned drawing [mm]



A	B	C	D	E	F	G	H	I
425	125	328	140	410	110	61	450	160

① For countersunk head screws

② Not available with LGA 42/12 and LGZ 42/12