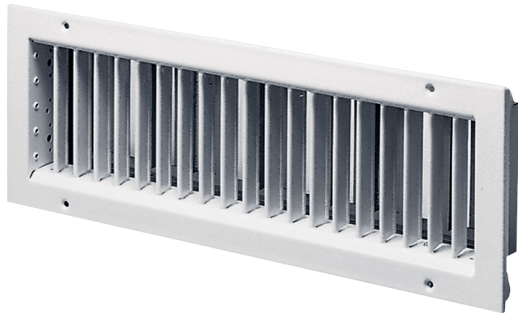


LGA 62/22



Short description

Exhaust air grille for combination with EK 62/22 installation box

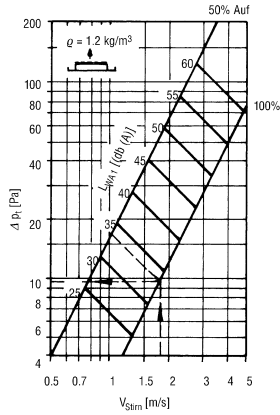
Article number 0151.0262

Technical data

Air direction	Air extraction
Practical air throughput at 75% opening of the slot slide	300 m ³ /h - 1000 m ³ /h
Installation	Inside
Installation site	Wall / Channel
Material	Sheet steel, stove-enamelled
Colour	light grey
Weight	3,71 kg
Weight including packaging	4,11 kg
Width	650 mm
Height	260 mm
Depth	61 mm
Width with packaging	680 mm
Height with packaging	275 mm
Depth with packaging	95 mm
Packing unit	1 piece
Range	D
GTIN (EAN)	4012799512622

LGA 62/22

Characteristic curve Static pressure difference and acoustic data



Stirnfläche (m²)

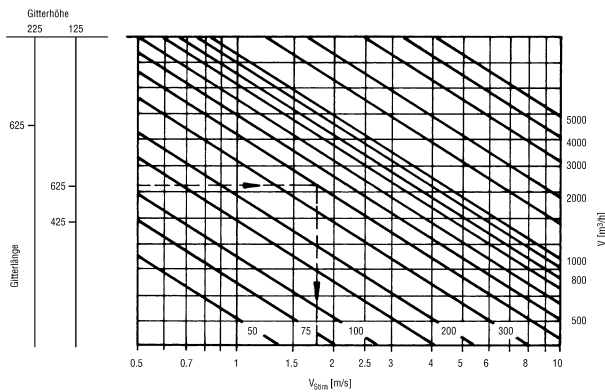
Höhe	Länge	425	625
125	0,041	0,061	
225	-	0,112	

- Δ Pt (Pa) = Druckverlust
- L_{WA1} [dB(A)] = bewerteter Schalleistungspegel bezogen auf A_{Stirn} = 0,08 m²
- w_{Stirn} (m/s) = Ansauggeschwindigkeit bezogen auf A_{Stirn}
- kf [dB(A)] = Korrekturfaktor
- A_{Stirn} (m²) = Stirnfläche
- L_{WA} = L_{WA1} + kf
- w_k (m/s) = Kanalgeschwindigkeit

Korrekturfaktor:

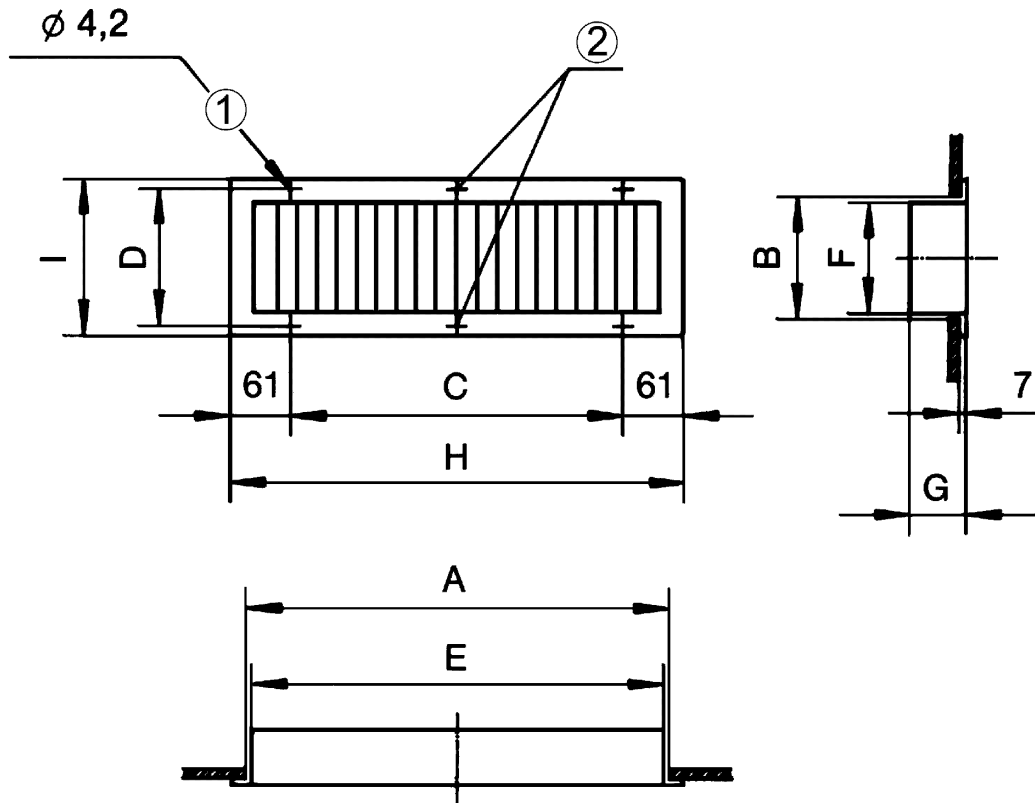
A _{Stirn} (m ²)	.04	.06	.11
kf [dB(A)]	-3	0	+2

Characteristic curve Volumetric flow in countercurrent with frontal velocity



LGA 62/22

Dimensioned drawing [mm]



A	B	C	D	E	F	G	H	I
625	225	528	240	610	210	61	650	260

① For countersunk head screws

② Not available with LGA 42/12 and LGZ 42/12