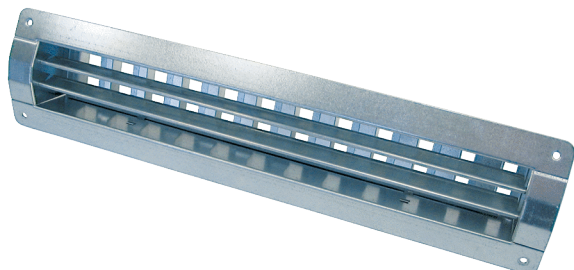


LGR 42/6



Short description

Internal grille for ventilation and air extraction for installation in ducts, sheet steel, galvanised, max. 250 m³/h

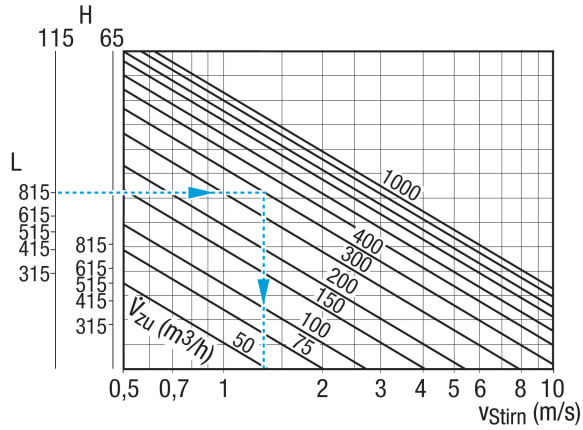
Article number 0151.0355

Technical data

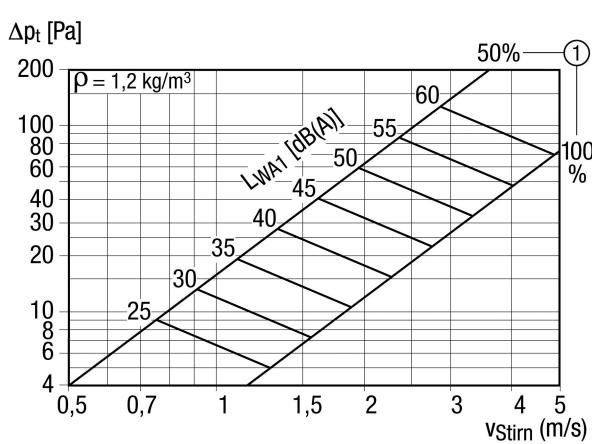
Air direction	Ventilation and air extraction
Practical air throughput at 75% opening of the slot slide	150 m³/h - 250 m³/h
Installation	Inside
Installation site	Duct
Material	Sheet steel, galvanised
Weight	0,82 kg
Weight including packaging	0,97 kg
Suitable for nominal size	140 mm - 400 mm (ideal 250 mm)
Width	458 mm
Height	113 mm
Depth	56 mm
Width with packaging	490 mm
Height with packaging	120 mm
Depth with packaging	70 mm
Packing unit	1 piece
Range	C
GTIN (EAN)	4012799513551

LGR 42/6

Characteristic curve Exhaust air front speed

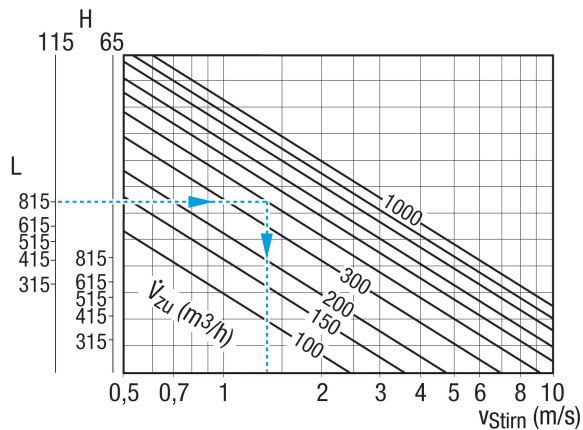


Characteristic curve Exhaust air pressure losses



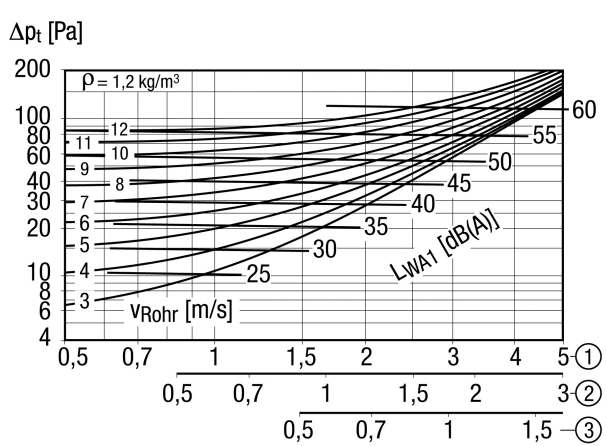
① Slot slide OPEN position as %

Characteristic curve Supply air front speed



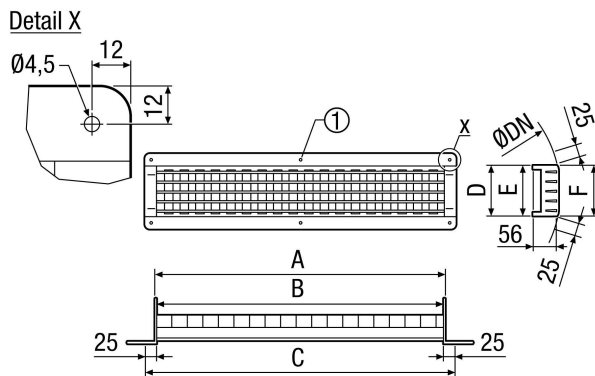
LGR 42/6

Characteristic curve Supply air pressure losses



- ① Front speed at 100 % open slot slide position
- ② Front speed at 50 % open slot slide position
- ③ Front speed at 25 % open slot slide position

Dimensioned drawing [mm]



A	B	C	D	E	F
415	415	458	65	60	58

① With LGR 82/6 and LGR 82/12 only