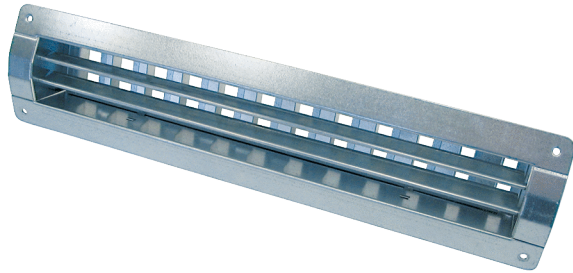


# LGR 52/12



## Short description

Internal grille for ventilation and air extraction for installation in ducts, sheet steel, galvanised, max. 600 m³/h

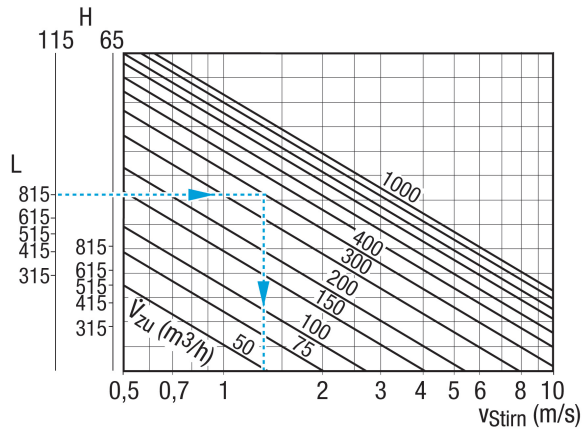
Article number 0151.0361

## Technical data

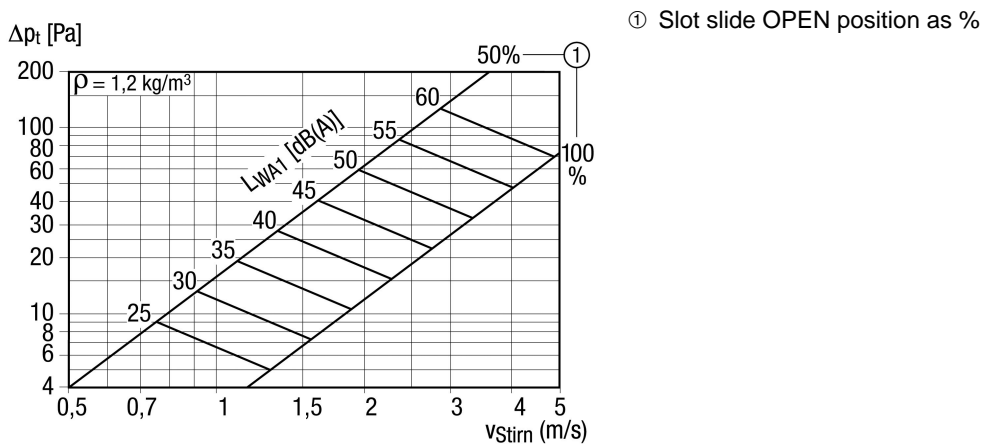
Air direction	Ventilation and air extraction
Practical air throughput at 75% opening of the slot slide	400 m³/h - 600 m³/h
Installation	Inside
Installation site	Duct
Material	Sheet steel, galvanised
Weight	1,66 kg
Weight including packaging	1,9 kg
Suitable for nominal size	300 mm - 800 mm (ideal 500 mm)
Width	558 mm
Height	113 mm
Depth	56 mm
Width with packaging	595 mm
Height with packaging	180 mm
Depth with packaging	70 mm
Packing unit	1 piece
Range	C
GTIN (EAN)	4012799513612

# LGR 52/12

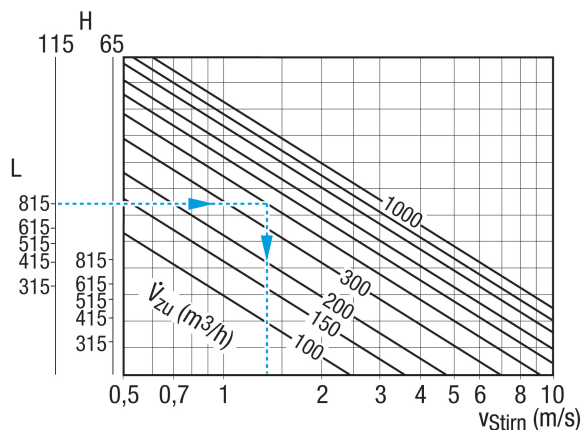
## Characteristic curve Exhaust air front speed



## Characteristic curve Exhaust air pressure losses

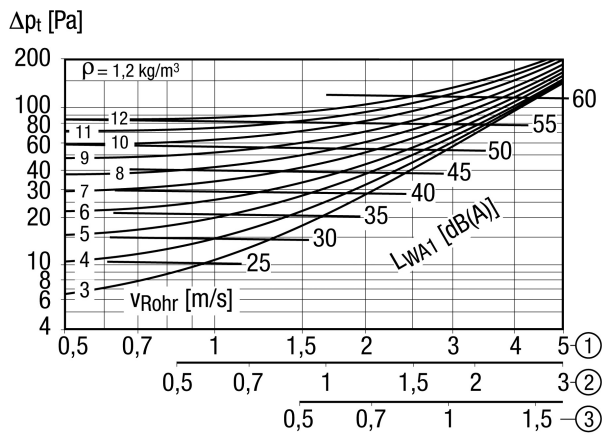


## Characteristic curve Supply air front speed



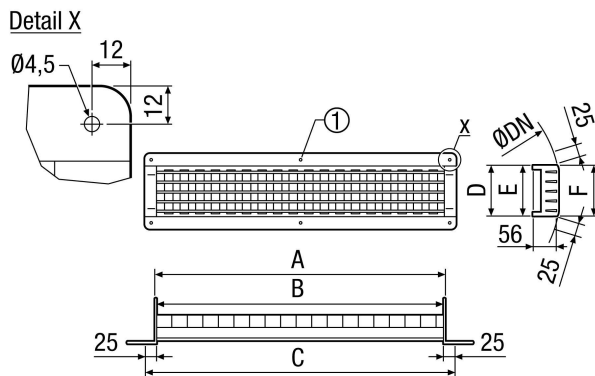
# LGR 52/12

## Characteristic curve Supply air pressure losses



- ① Front speed at 100 % open slot slide position
- ② Front speed at 50 % open slot slide position
- ③ Front speed at 25 % open slot slide position

## Dimensioned drawing [mm]



A	B	C	D	E	F
515	512	558	115	110	108

① With LGR 82/6 and LGR 82/12 only