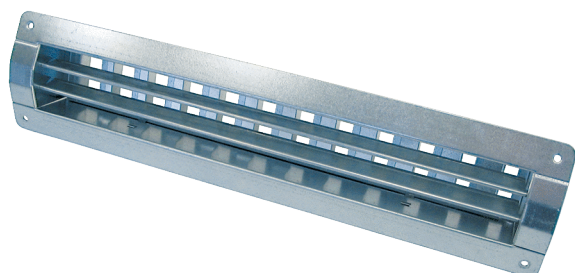


LGR 62/12



Short description

Internal grille for ventilation and air extraction for installation in ducts, sheet steel, galvanised, max. 700 m³/h

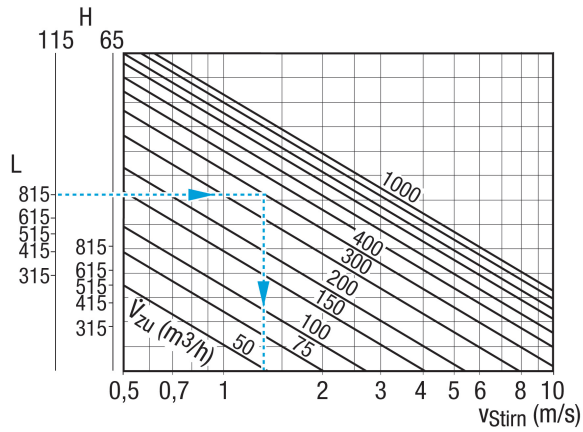
Article number 0151.0362

Technical data

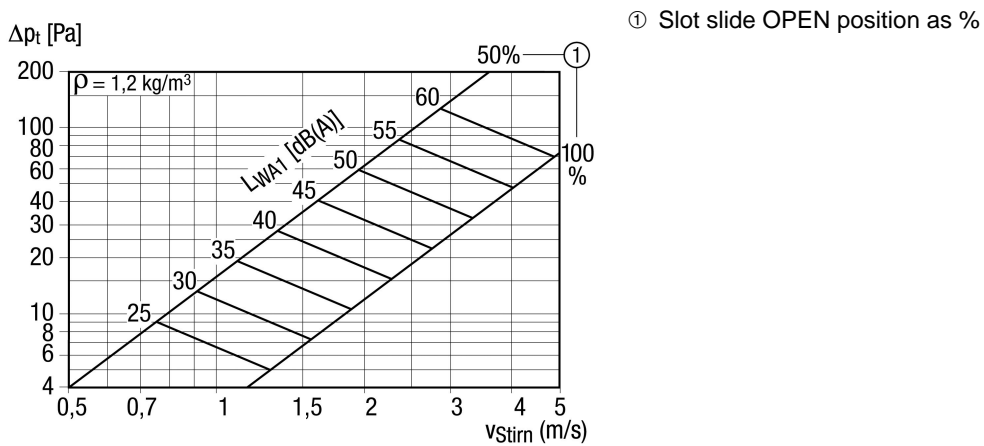
Air direction	Ventilation and air extraction
Practical air throughput at 75% opening of the slot slide	500 m³/h - 700 m³/h
Installation	Inside
Installation site	Duct
Material	Sheet steel, galvanised
Weight	1,8 kg
Weight including packaging	2,12 kg
Suitable for nominal size	300 mm - 800 mm (ideal 500 mm)
Width	658 mm
Height	113 mm
Depth	56 mm
Width with packaging	700 mm
Height with packaging	180 mm
Depth with packaging	70 mm
Packing unit	1 piece
Range	C
GTIN (EAN)	4012799513629

LGR 62/12

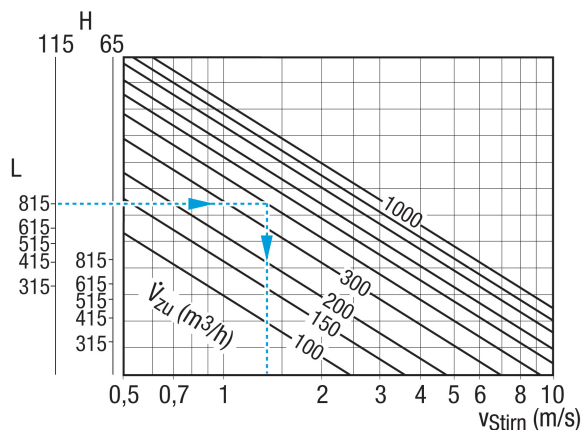
Characteristic curve Exhaust air front speed



Characteristic curve Exhaust air pressure losses

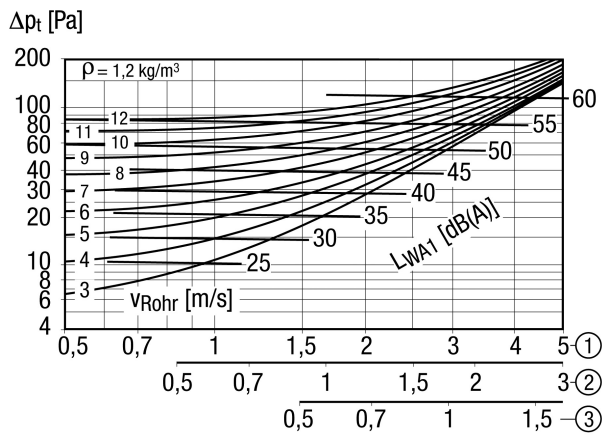


Characteristic curve Supply air front speed



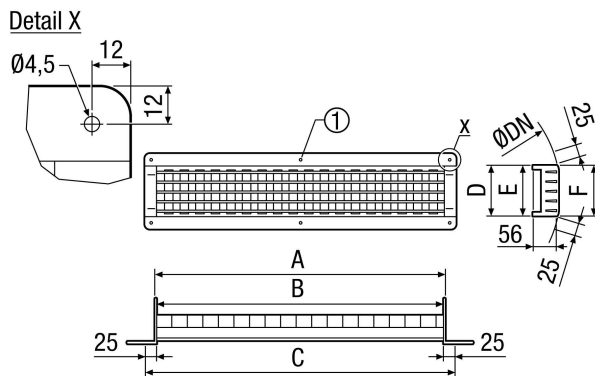
LGR 62/12

Characteristic curve Supply air pressure losses



- ① Front speed at 100 % open slot slide position
- ② Front speed at 50 % open slot slide position
- ③ Front speed at 25 % open slot slide position

Dimensioned drawing [mm]



A	B	C	D	E	F
615	612	658	115	110	108

① With LGR 82/6 and LGR 82/12 only