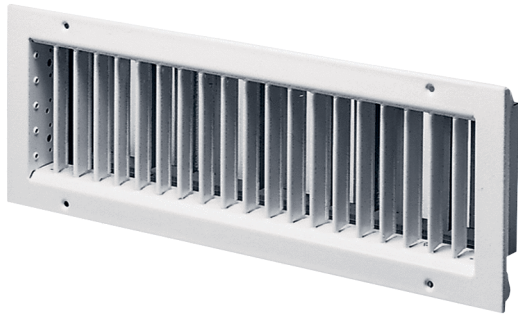


LGZ 42/12



Short description

Supply air grille for combination with EK 42/22 installation box

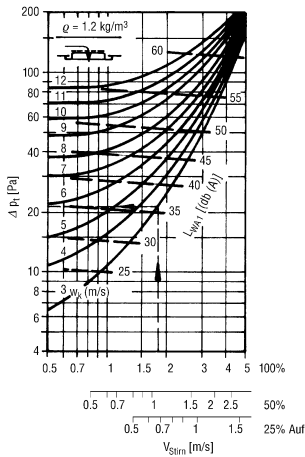
Article number 0151.0263

Technical data

Air direction	Ventilation
Practical air throughput at 75% opening of the slot slide	100 m ³ /h - 350 m ³ /h
Installation	Inside
Installation site	Wall / Channel
Material	Sheet steel, stove-enamelled
Colour	light grey
Weight	1,96 kg
Weight including packaging	2,2 kg
Width	450 mm
Height	160 mm
Depth	61 mm
Width with packaging	410 mm
Height with packaging	180 mm
Depth with packaging	90 mm
Packing unit	1 piece
Range	D
GTIN (EAN)	4012799512639

LGZ 42/12

Characteristic curve Static pressure difference and acoustic data in countercurrent with frontal velocity



Stirnfläche (m²)

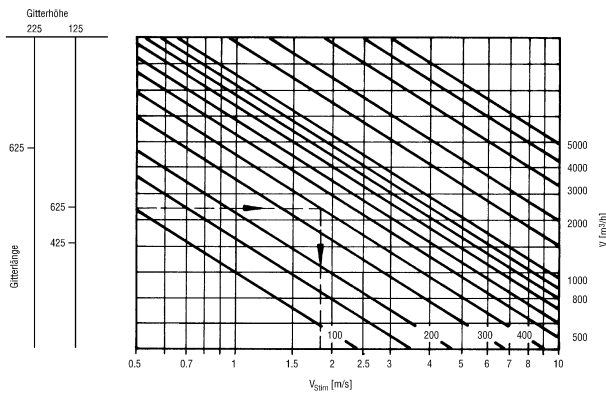
Höhe	Länge	625
125	0,041	0,061
225	-	0,112

- Δ Pt (Pa) = Druckverlust
- L_{WA1} [dB(A)] = bewerteter Schalleistungspegel bezogen auf A_{stirn} = 0,08 m²
- w_{stirn} (m/s) = Ansauggeschwindigkeit bezogen auf A_{stirn}
- kf [dB(A)] = Korrekturfaktor
- A_{stirn} (m²) = Stirnfläche
- L_{WA} = L_{WA1} + kf
- w_k (m/s) = Kanalgeschwindigkeit

Korrekturfaktor:

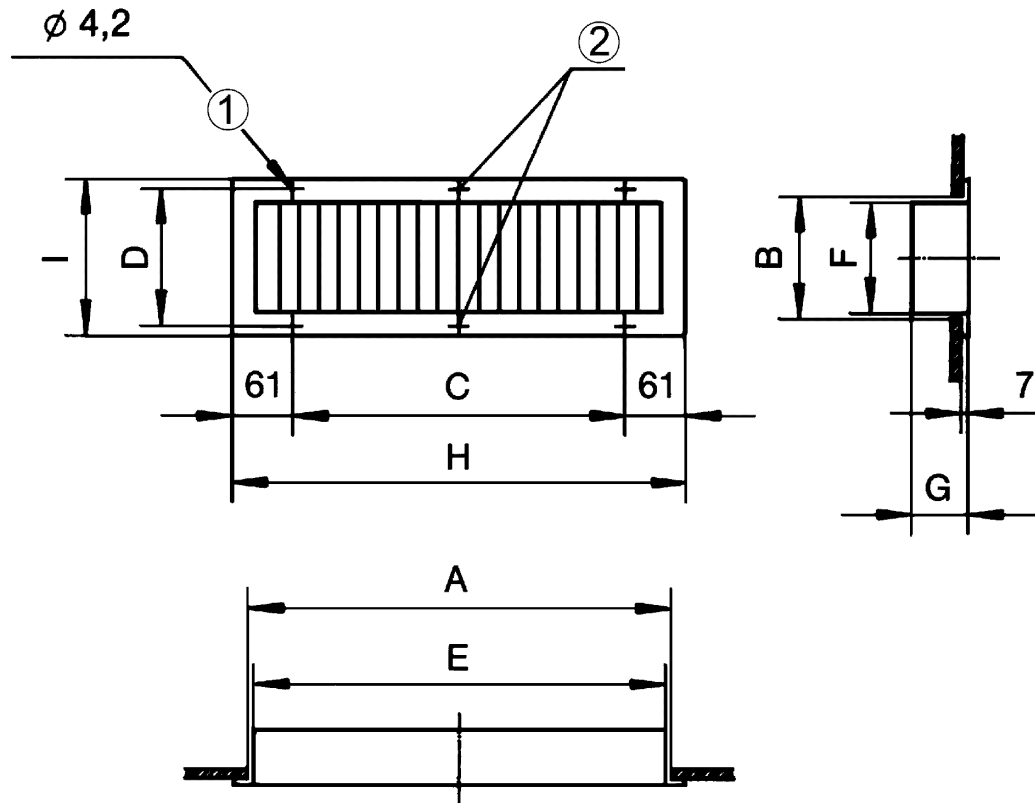
A _{stirn} (m ²)	.04	.06	.11
kf [dB(A)]	-3	0	+2

Characteristic curve Air volumes in countercurrent with frontal velocity



LGZ 42/12

Dimensioned drawing [mm]



A	B	C	D	E	F	G	H	I
425	125	328	140	410	110	61	450	160

① For countersunk head screws

② Not available with LGA 42/12 and LGZ 42/12