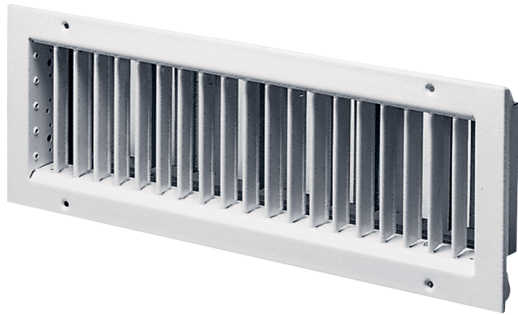


# LGZ 62/12



## Short description

Supply air grille for combination with EK 62/12 installation box

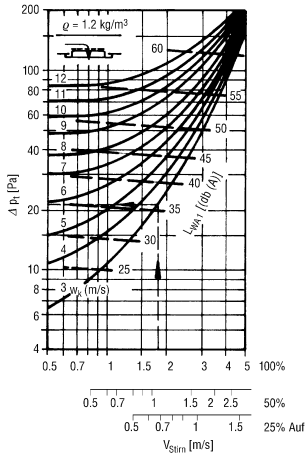
Article number 0151.0264

## Technical data

Air direction	Ventilation
Practical air throughput at 75% opening of the slot slide	200 m <sup>3</sup> /h - 500 m <sup>3</sup> /h
Installation	Inside
Installation site	Wall / Channel
Material	Sheet steel, stove-enamelled
Colour	light grey
Weight	2,92 kg
Weight including packaging	3,19 kg
Width	650 mm
Height	160 mm
Depth	61 mm
Width with packaging	680 mm
Height with packaging	175 mm
Depth with packaging	95 mm
Packing unit	1 piece
Range	D
GTIN (EAN)	4012799512646

# LGZ 62/12

Characteristic curve Static pressure difference and acoustic data in countercurrent with frontal velocity



Stirnfläche (m<sup>2</sup>)

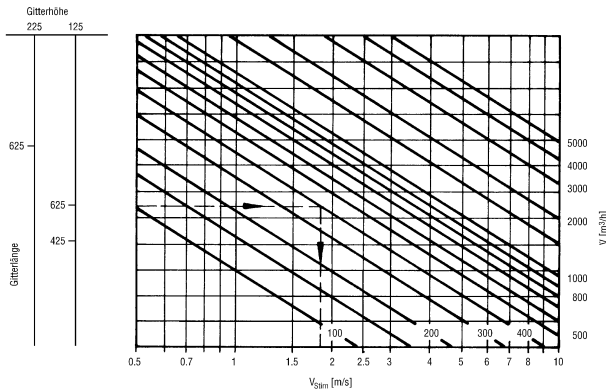
Höhe	Länge	625
125	0,041	0,061
225	-	0,112

- Δ Pt (Pa) = Druckverlust
- L<sub>WA1</sub> [dB(A)] = bewerteter Schalleistungspegel bezogen auf A<sub>stirn</sub> = 0.08 m<sup>2</sup>
- w<sub>stirn</sub> (m/s) = Ansauggeschwindigkeit bezogen auf A<sub>stirn</sub>
- kf [dB(A)] = Korrekturfaktor
- A<sub>stirn</sub> (m<sup>2</sup>) = Stirnfläche
- L<sub>WA</sub> = L<sub>WA1</sub> + kf
- w<sub>k</sub> (m/s) = Kanalgeschwindigkeit

Korrekturfaktor:

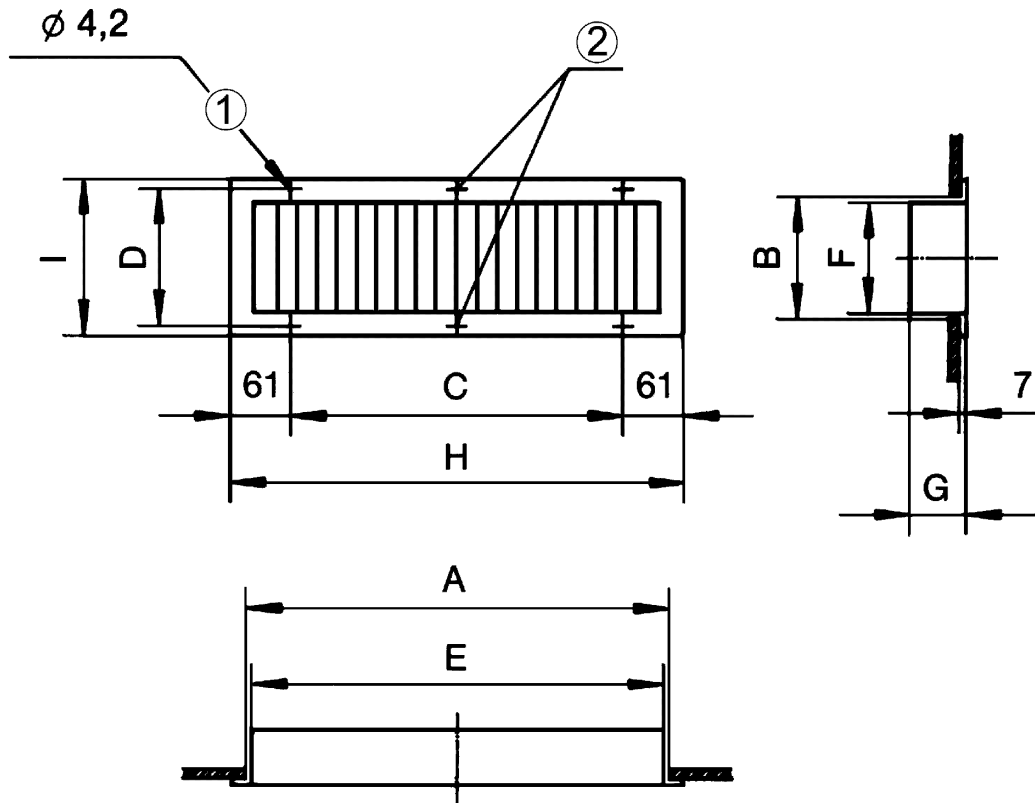
A <sub>stirn</sub> (m <sup>2</sup> )	.04	.06	.11
kf [dB(A)]	-3	0	+2

Characteristic curve Air volumes in countercurrent with frontal velocity



# LGZ 62/12

Dimensioned drawing [mm]



A	B	C	D	E	F	G	H	I
625	125	528	140	610	110	61	650	160

① For countersunk head screws

② Not available with LGA 42/12 and LGZ 42/12