

LZP-R 22



Short description

Weather protection grille with reduced pressure loss, galvanised sheet steel, channel dimension 500 x 250 mm

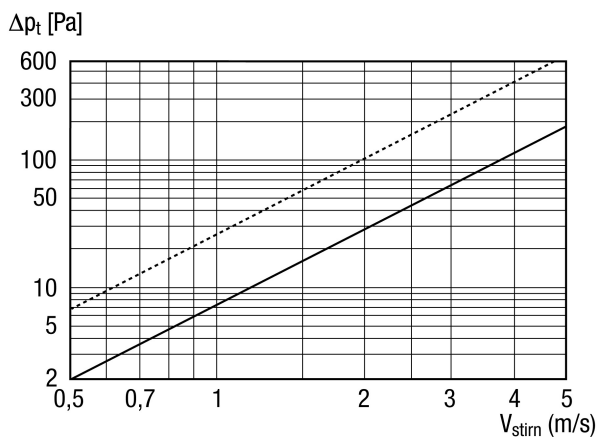
Article number 0151.0381

Technical data

Air direction	Ventilation and air extraction
Installation	outside
Installation site	Wall / Channel
Material	Sheet steel, galvanised
Weight	13 kg
Weight including packaging	13,575 kg
Channel dimension	500 mm x 250 mm
Open cross section	1.012 cm ²
Width	779 mm
Height	325 mm
Depth	250 mm
Width with packaging	880 mm
Height with packaging	340 mm
Depth with packaging	320 mm
Packing unit	1 piece
Range	D
GTIN (EAN)	4012799513810

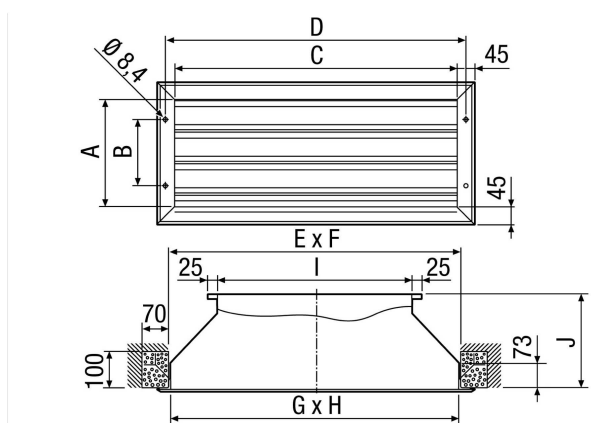
LZP-R 22

Characteristic curve



Dashed line: Pressure loss, drawing in
 Solid line: Pressure loss, pushing

Dimensioned drawing [mm]



A	B	C	D	E	F	G	H	I	J
235	125	735	779	760	260	750	250	500	250