

LZP-R 25



Short description

Weather protection grille with reduced pressure loss, galvanised sheet steel, channel dimension 500 x 300 mm

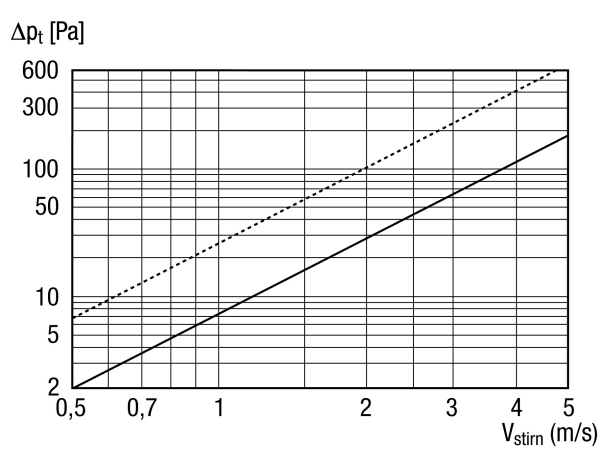
Article number 0151.0382

Technical data

Air direction	Ventilation and air extraction
Installation	outside
Installation site	Wall / Channel
Material	Sheet steel, galvanised
Weight	14,3 kg
Weight including packaging	15,1 kg
Channel dimension	500 mm x 300 mm
Open cross section	1.215 cm ²
Width	779 mm
Height	375 mm
Depth	250 mm
Width with packaging	860 mm
Height with packaging	290 mm
Depth with packaging	360 mm
Packing unit	1 piece
Range	D
GTIN (EAN)	4012799513827

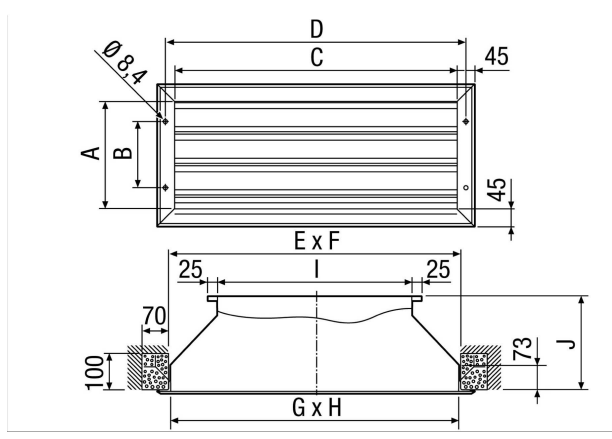
LZP-R 25

Characteristic curve



Dashed line: Pressure loss, drawing in
 Solid line: Pressure loss, pushing

Dimensioned drawing [mm]



A	B	C	D	E	F	G	H	I	J
285	175	735	779	760	310	750	300	500	250