

LZP-R 28



Short description

Weather protection grille with reduced pressure loss, galvanized sheet steel, channel dimension 600 x 300 mm

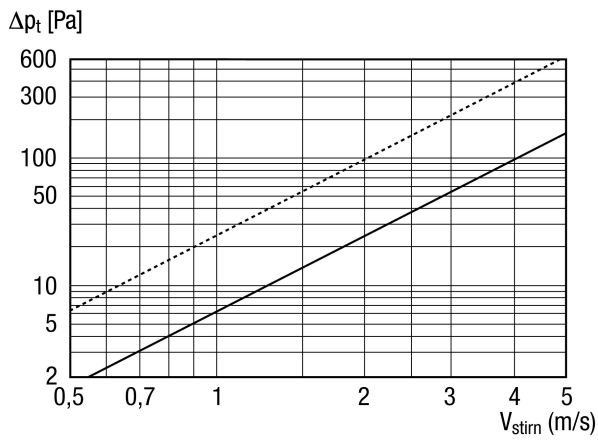
Article number 0151.0383

Technical data

Air direction	Ventilation and air extraction
Installation	outside
Installation site	Wall / Channel
Material	Sheet steel, galvanised
Weight	16,5 kg
Weight including packaging	18,23 kg
Channel dimension	600 mm x 300 mm
Open cross section	1.458 cm ²
Width	929 mm
Height	375 mm
Depth	250 mm
Width with packaging	1.010 mm
Height with packaging	395 mm
Depth with packaging	300 mm
Packing unit	1 piece
Range	D
GTIN (EAN)	4012799513834

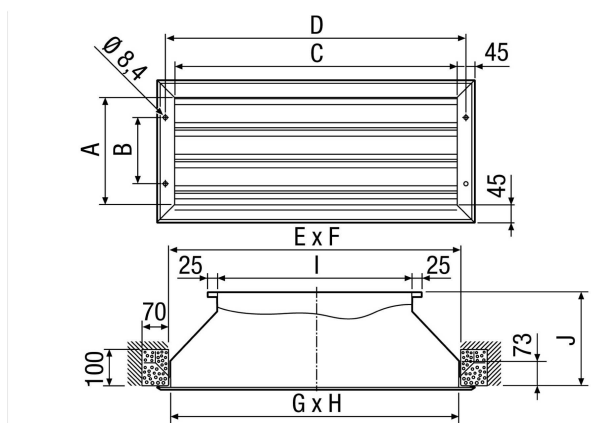
LZP-R 28

Characteristic curve



Dashed line: Pressure loss, drawing in
 Solid line: Pressure loss, pushing

Dimensioned drawing [mm]



A	B	C	D	E	F	G	H	I	J
285	175	885	929	910	310	900	300	600	250