

LZP-R 50



Short description

Weather protection grille with reduced pressure loss, galvanized sheet steel, channel dimension 800 x 500 mm

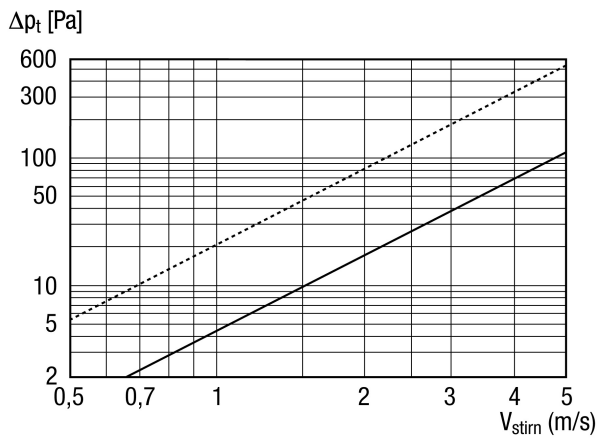
Article number 0151.0386

Technical data

Air direction	Ventilation and air extraction
Installation	outside
Installation site	Wall / Channel
Material	Sheet steel, galvanised
Weight	25,8 kg
Weight including packaging	28 kg
Channel dimension	800 mm x 500 mm
Open cross section	3.240 cm ²
Width	1.229 mm
Height	575 mm
Depth	73 mm
Width with packaging	1.300 mm
Height with packaging	600 mm
Depth with packaging	300 mm
Packing unit	1 piece
Range	D
GTIN (EAN)	4012799513865

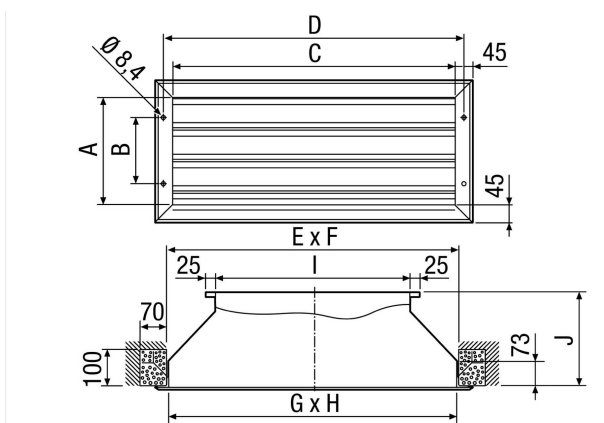
LZP-R 50

Characteristic curve



Dashed line: Pressure loss, drawing in
 Solid line: Pressure loss, pushing

Dimensioned drawing [mm]



A	B	C	D	E	F	G	H	I	J
485	375	1.185	1.229	1.210	510	1.200	500	800	250