

# LZP-R 56



## Short description

Weather protection grille with reduced pressure loss, galvanized sheet steel, channel dimension 1000 x 500 mm

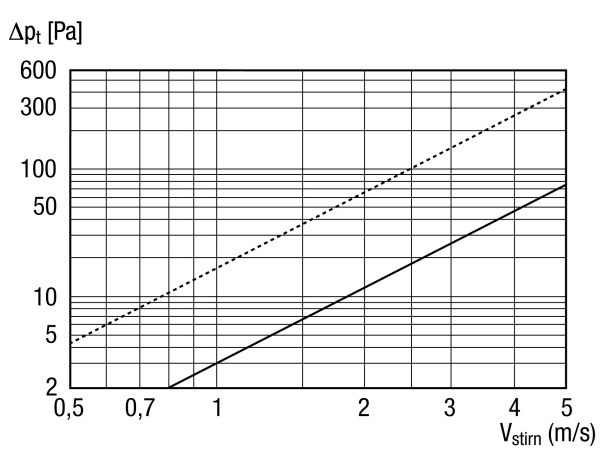
Article number 0151.0387

## Technical data

Air direction	Ventilation and air extraction
Installation	outside
Installation site	Wall / Channel
Material	Sheet steel, galvanised
Weight	31,5 kg
Weight including packaging	33,84 kg
Channel dimension	1.000 mm x 500 mm
Open cross section	4.050 cm <sup>2</sup>
Width	1.529 mm
Height	575 mm
Depth	73 mm
Width with packaging	1.575 mm
Height with packaging	575 mm
Depth with packaging	265 mm
Packing unit	1 piece
Range	D
GTIN (EAN)	4012799513872

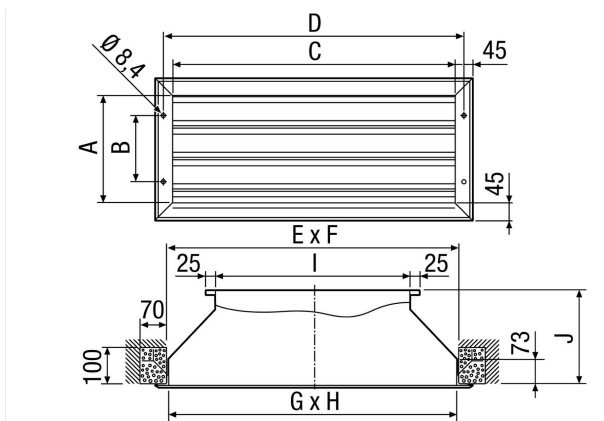
# LZP-R 56

## Characteristic curve



Dashed line: Pressure loss, drawing in  
 Solid line: Pressure loss, pushing

## Dimensioned drawing [mm]



A	B	C	D	E	F	G	H	I	J
485	375	1.485	1.529	1.510	510	1.500	500	1.000	250