

# LZP 22



## Short description

External grille, galvanised sheet steel, channel dimension 500 x 250 mm

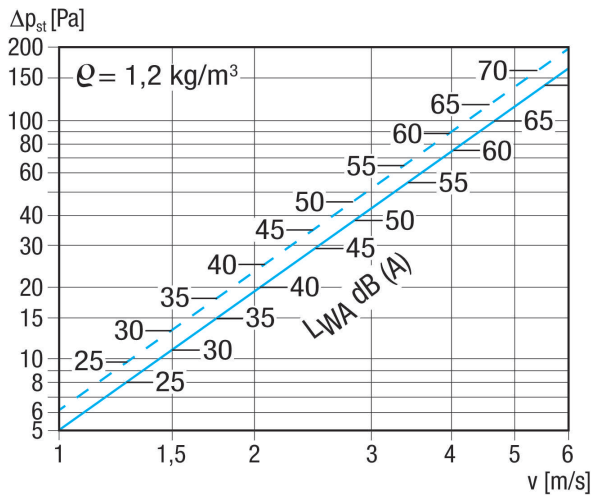
Article number 0151.0255

## Technical data

Air direction	Ventilation and air extraction
Installation	outside
Installation site	Wall / Channel
Material	Sheet steel, galvanised
Weight	6,45 kg
Weight including packaging	6,83 kg
Channel dimension	500 mm x 250 mm
Width	529 mm
Height	325 mm
Depth	73 mm
Width with packaging	590 mm
Height with packaging	335 mm
Depth with packaging	110 mm
Packing unit	1 piece
Range	D
GTIN (EAN)	4012799512554

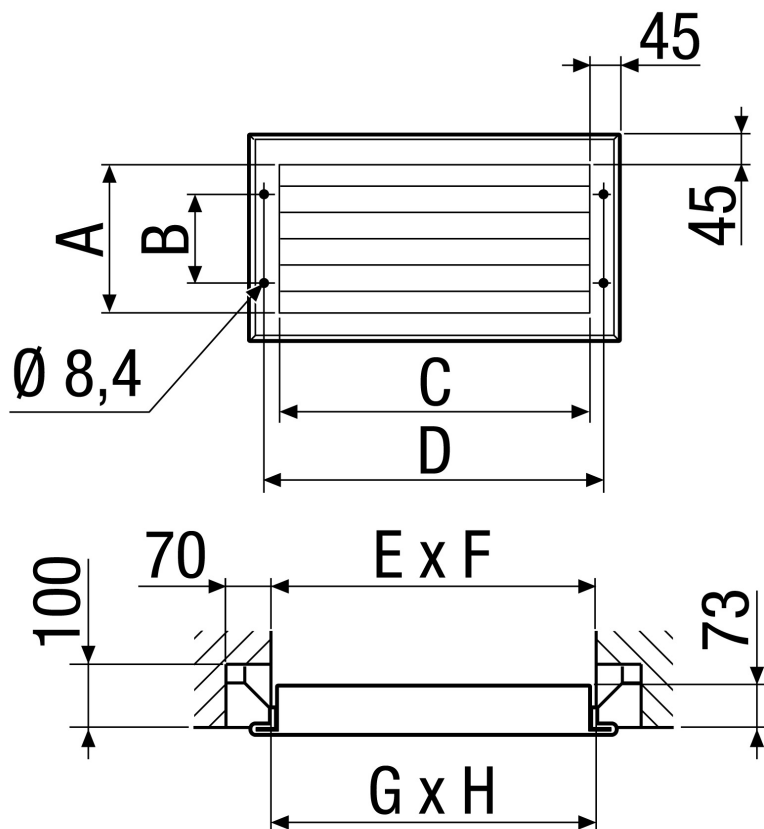
# LZP 22

## Characteristic curve Pressure losses



Dashed line: Pressure loss, drawing in  
 Solid line: Pressure loss, pushing

## Dimensioned drawing [mm]



A	B	C	D	E	F	G	H
235	125	485	529	510	260	500	250

LZP 22

