

LZP 56



Short description

External grille, galvanised sheet steel, channel dimension 1000 x 500 mm

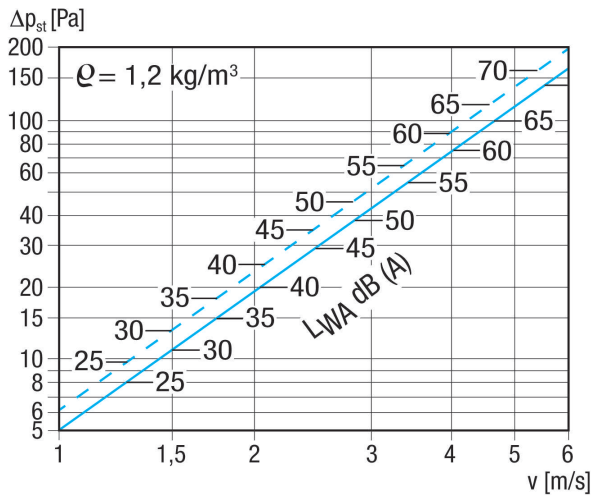
Article number 0151.0315

Technical data

Air direction	Ventilation and air extraction
Installation	outside
Installation site	Wall / Channel
Material	Sheet steel, galvanised
Weight	16,3 kg
Weight including packaging	17,1 kg
Channel dimension	1.000 mm x 500 mm
Width	1.029 mm
Height	575 mm
Depth	73 mm
Width with packaging	1.090 mm
Height with packaging	580 mm
Depth with packaging	110 mm
Packing unit	1 piece
Range	D
GTIN (EAN)	4012799513155

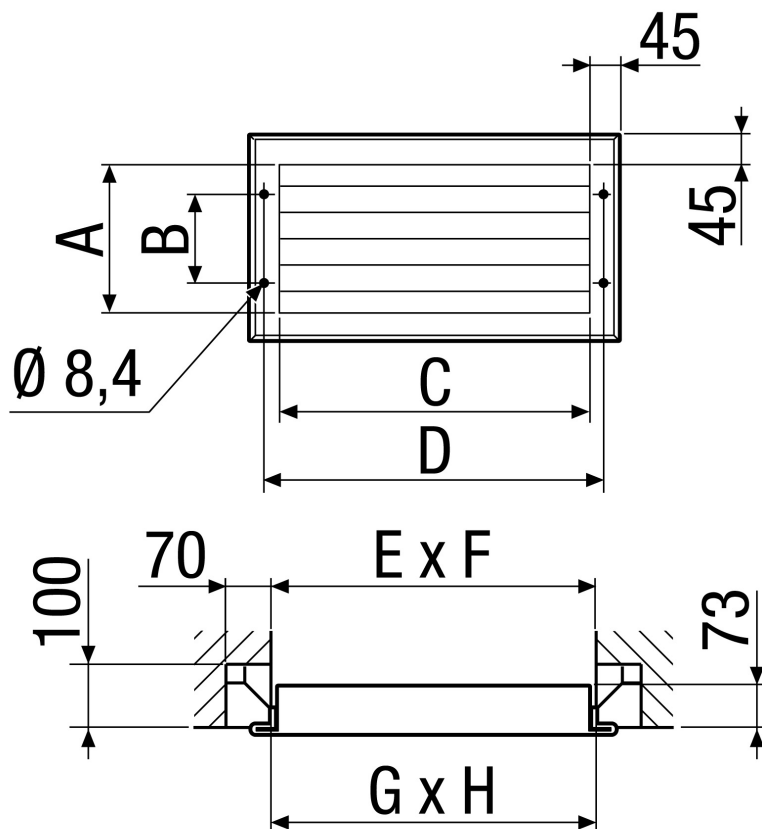
LZP 56

Characteristic curve Pressure losses



Dashed line: Pressure loss, drawing in
Solid line: Pressure loss, pushing

Dimensioned drawing [mm]



A	B	C	D	E	F	G	H
485	375	985	1.029	1.010	510	1.000	500

LZP 56

