

# MDR-VG 25 EC



## Short description

Centrifugal roof fan with EC motor with integrated control for constant speed, DN 250

## Application examples

Workplace, Production facility, Industrial building, Assembly hall, Commercial premises

Article number 0087.0033

## Technical data

Air flow volume	3.006 m <sup>3</sup> /h
Air volume <sub>nom</sub>	1.723 m <sup>3</sup> /h (in opt. efficiency)
Pressure p <sub>fs, nom</sub>	464 Pa (in opt. efficiency)
Rotating speed n <sub>nom</sub>	2.450 1/min (in opt. efficiency)
Impeller type	radial
Speed controllable	–
Reversing capacity	–
Type of voltage	Alternating current
Rated voltage	230 V
Frequency	50 Hz
Nominal output	451 W (in opt. efficiency)
I <sub>nom</sub>	1,99 A (in opt. efficiency)
I <sub>max</sub>	2,2 A
Degree of protection	IP X5
Insulation class	F
Pole-changeable	–
Installation site	Roof
Installation position	vertical
Weight	29,95 kg
Weight including packaging	32,81 kg
Swivellable	–
Nominal size	250 mm
Width	610 mm
Height	471 mm
Depth	610 mm
Width with packaging	635 mm
Height with packaging	495 mm
Depth with packaging	635 mm
Airstream temperature at I <sub>Max</sub>	-25 °C up to 60 °C

# MDR-VG 25 EC

Temperature class	F
Packing unit	1 piece
Range	E
GTIN (EAN)	4012799870333

## Technical data according to ErP in Best Efficiency Point (BEP)

Total efficiency $\eta$	49,3 %
Efficiency level N	77,2
Year of manufacture	see rating plate
Manufacturer's name / official registration number / manufacturer's place of establishment	Maico Elektroapparate-Fabrik GmbH / Freiburg registration court, HRB 601233
Art. No.	0087.0033
$P_{BEP}$ / Air volume $_{BEP}$ / $P_{fs, BEP}$	0,451 kW / 1.723 m <sup>3</sup> /h / 464 Pa
Information about dismantling and disposal	see mounting instructions
Information about installation, operation and repairs	see mounting instructions
Objects used to measure efficiency which are not described by the measurement category	-
Sound power level $_{L_{WA5}}$	79 dB

## Sound power level in octave range

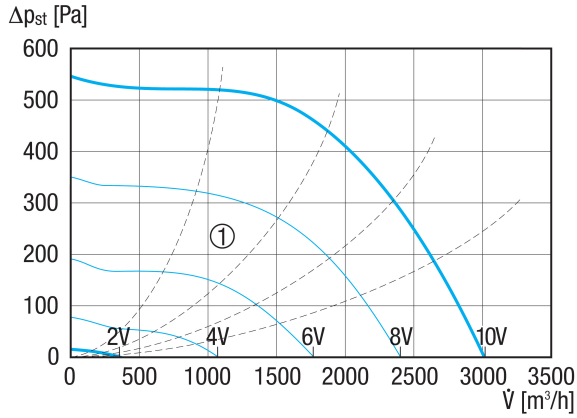
	63 Hz	125 Hz	250 Hz	500 Hz	1 kHz	2 kHz	4 kHz	8 kHz	Total
$L_{WA5, 2}$ V (dB(A))	13,3	37,3	25,1	39,4	51	26,6	15,9	14,1	50,8
$L_{WA5, 4}$ V (dB(A))	25,5	37,2	42,9	45,8	50,6	61,8	50	33,2	62
$L_{WA5, 6}$ V (dB(A))	33,7	51,1	54,2	56,9	59,6	59,9	67	48,9	68,4
$L_{WA5, 8}$ V (dB(A))	41,1	52,6	60,7	63,9	66,4	66,4	70,2	66,7	73,9
$L_{WA8, 2}$ V (dB(A))	12,4	40,7	28,9	37,2	48,7	28,3	15	13,6	49,1
$L_{WA8, 4}$ V (dB(A))	28,2	42,4	47,3	49,9	53,1	61	48,7	33,6	61,8
$L_{WA8, 6}$ V (dB(A))	37,2	54,9	56,6	60,7	63,8	63,9	66,7	51,6	70,1
$L_{WA8, 8}$ V (dB(A))	43,8	59,9	65,1	67,5	71,2	71,3	70,7	67,4	76,8

$L_{WA5}$ = free inlet sound power level in dB.

$L_{WA8}$ = housing and free outlet sound power level in dB.

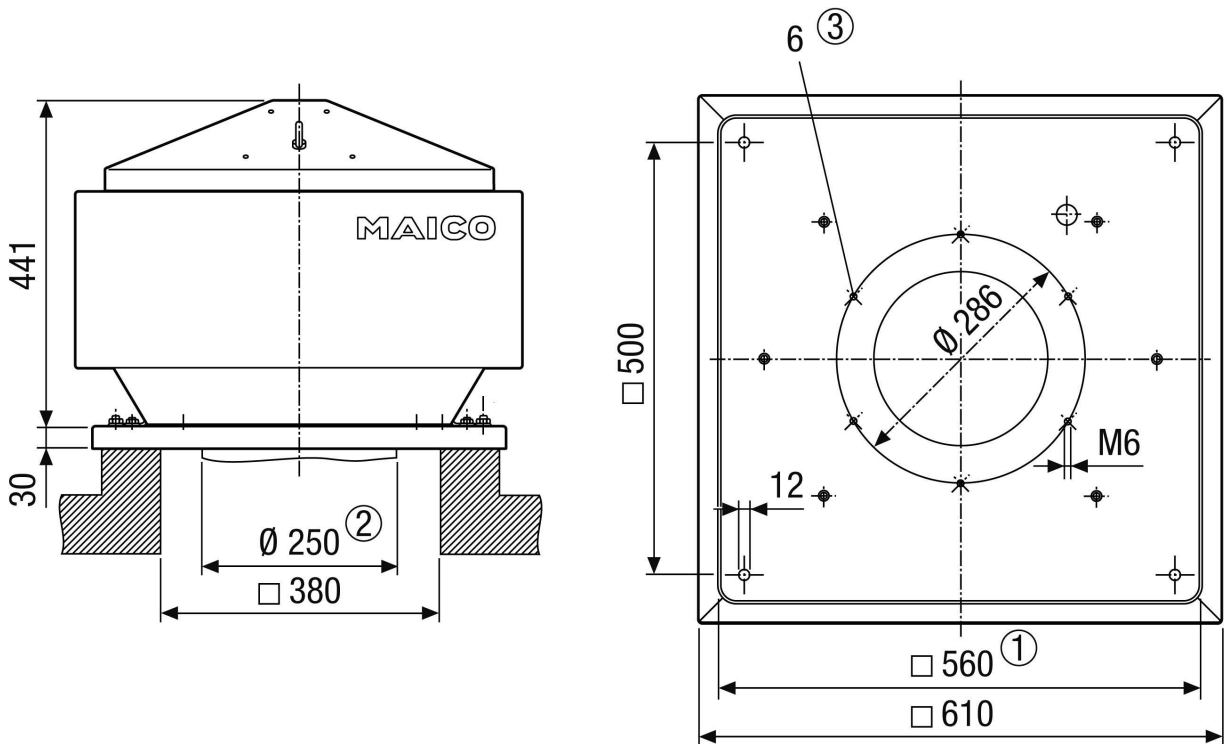
# MDR-VG 25 EC

## Characteristic curve



① Auxiliary characteristics curves for control voltage 2 - 10 V

## Dimensioned drawing [mm]



- ① Clear width
- ② External duct diameter
- ③ Number of holes

# MDR-VG 25 EC

