

MDR 22 EC



Short description

Centrifugal roof fan with EC motor, DN 224

Application examples

Workplace, Production facility, Industrial building, Assembly hall, Commercial premises

Article number 0087.0022

Technical data

| | |
|-------------------------------------------|----------------------------------------------|
| Air flow volume | 2.440 m ³ /h |
| Air volume _{nom} | 1.390 m ³ /h (in opt. efficiency) |
| Pressure p _{fs, nom} | 520 Pa (in opt. efficiency) |
| Rotating speed n _{nom} | 2.860 1/min (in opt. efficiency) |
| Impeller type | radial |
| Speed controllable | ✓ |
| Reversing capacity | – |
| Type of voltage | Alternating current |
| Rated voltage | 230 V |
| Frequency | 50 Hz |
| Nominal output | 407 W (in opt. efficiency) |
| I _{nom} | 1,79 A (in opt. efficiency) |
| I _{max} | 1,9 A |
| Degree of protection | IP X5 |
| Insulation class | F |
| Pole-changeable | – |
| Installation site | Roof |
| Installation position | vertical |
| Weight | 25,66 kg |
| Weight including packaging | 28,15 kg |
| Swivellable | – |
| Nominal size | 224 mm |
| Width | 550 mm |
| Height | 437 mm |
| Depth | 550 mm |
| Width with packaging | 590 mm |
| Height with packaging | 460 mm |
| Depth with packaging | 590 mm |
| Airstream temperature at I _{Max} | -25 °C up to 60 °C |

MDR 22 EC

| | |
|-------------------|---------------|
| Temperature class | F |
| Packing unit | 1 piece |
| Range | E |
| GTIN (EAN) | 4012799870227 |

Technical data according to ErP in Best Efficiency Point (BEP)

| | |
|--------------------------------------------------------------------------------------------|-----------------------------------------------------------------------------|
| Total efficiency η | 49,3 % |
| Efficiency level N | 77,4 |
| Year of manufacture | see rating plate |
| Manufacturer's name / official registration number / manufacturer's place of establishment | Maico Elektroapparate-Fabrik GmbH / Freiburg registration court, HRB 601233 |
| Art. No. | 0087.0022 |
| P_{BEP} / Air volume $_{BEP}$ / $P_{fs, BEP}$ | 0,407 kW / 1.390 m ³ /h / 520 Pa |
| Information about dismantling and disposal | see mounting instructions |
| Information about installation, operation and repairs | see mounting instructions |
| Objects used to measure efficiency which are not described by the measurement category | - |
| Sound power level $_{L_{WA5}}$ | 79 dB |

Sound power level in octave range

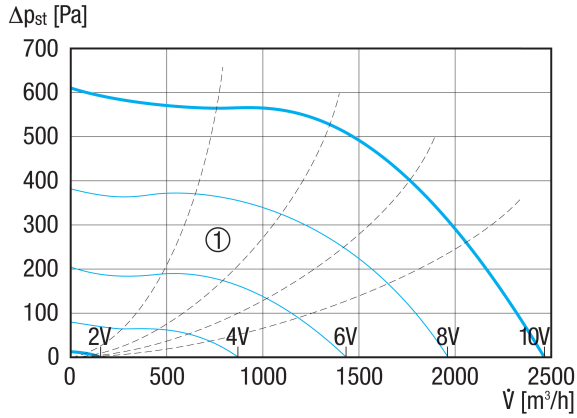
| | 63 Hz | 125 Hz | 250 Hz | 500 Hz | 1 kHz | 2 kHz | 4 kHz | 8 kHz | Total |
|---------------------------|-------|--------|--------|--------|-------|-------|-------|-------|-------|
| $L_{WA5, 2}$ V (dB(A)) | 11,2 | 23,1 | 25,7 | 43,6 | 52,7 | 40,7 | 27,7 | 26,6 | 52,9 |
| $L_{WA5, 4}$ V (dB(A)) | 25,6 | 38,9 | 46 | 49,1 | 51,9 | 60,2 | 51,7 | 39,8 | 61,1 |
| $L_{WA5, 6}$ V (dB(A)) | 34,8 | 47,5 | 54,8 | 56 | 59,9 | 61,1 | 67,4 | 51,7 | 68,8 |
| $L_{WA5, 8}$ V (dB(A)) | 41,3 | 53,3 | 63,1 | 64,4 | 66,7 | 66,7 | 70,7 | 66,8 | 74,4 |
| $L_{WA8, 2}$ V (dB(A)) | 9,3 | 34,9 | 32 | 46,7 | 50,9 | 39,1 | 28,9 | 29,4 | 52,4 |
| $L_{WA8, 4}$ V (dB(A)) | 27,3 | 42,5 | 48,7 | 51,6 | 54,6 | 59,4 | 50,4 | 41,2 | 61,2 |
| $L_{WA8, 6}$ V (dB(A)) | 36,7 | 52,5 | 58,6 | 60,9 | 64,2 | 64 | 65,3 | 52,7 | 69,9 |
| $L_{WA8, 8}$ V (dB(A)) | 43,6 | 59,7 | 65,5 | 69,2 | 71,4 | 71,1 | 69,8 | 67 | 76,8 |

L_{WA5} = free inlet sound power level in dB.

L_{WA8} = housing and free outlet sound power level in dB.

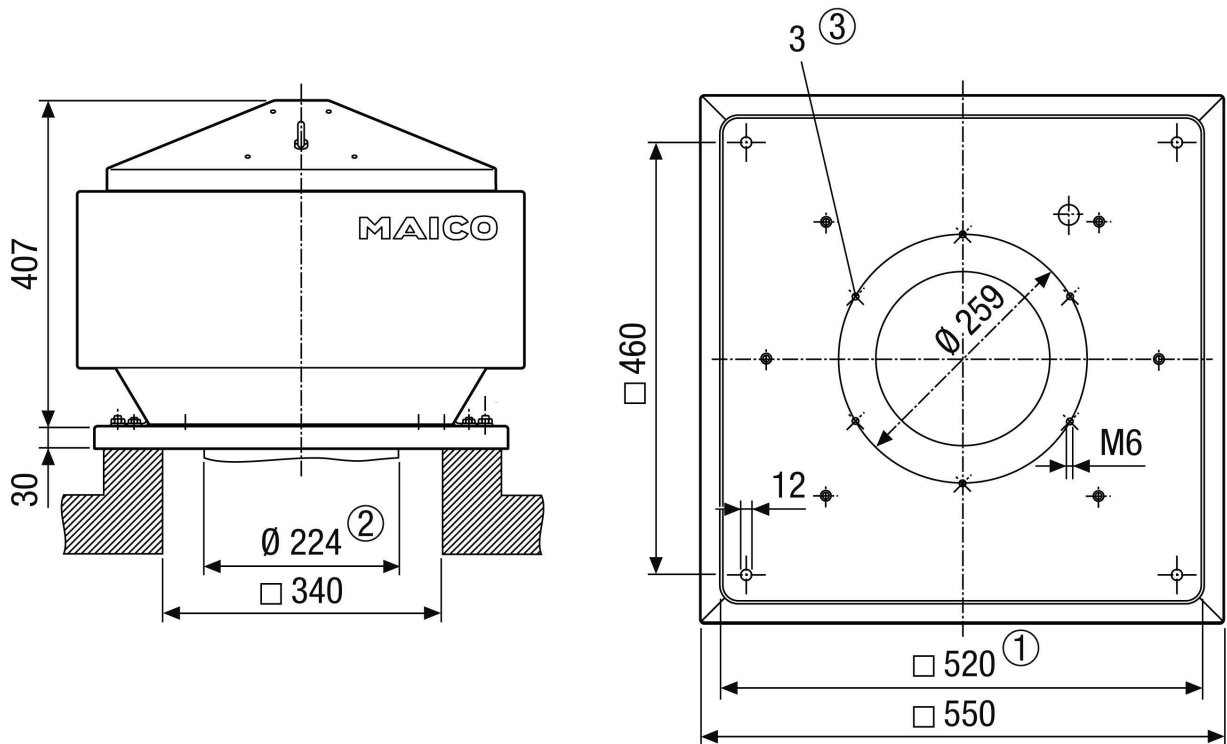
MDR 22 EC

Characteristic curve



① Auxiliary characteristics curves for control voltage 2 - 10 V

Dimensioned drawing [mm]



- ① Clear width
- ② External duct diameter
- ③ Number of holes

MDR 22 EC

