

# MDR 40 EC



## Short description

Centrifugal roof fan with EC motor, DN 400

## Application examples

Workplace, Production facility, Industrial building, Assembly hall, Commercial premises

Article number 0087.0029

## Technical data

|   |  |
|---|--|
| Air flow volume                           | 6.825 m <sup>3</sup> /h                      |
| Air volume <sub>nom</sub>                 | 3.075 m <sup>3</sup> /h (in opt. efficiency) |
| Pressure p <sub>fs, nom</sub>             | 571 Pa (in opt. efficiency)                  |
| Rotating speed n <sub>nom</sub>           | 1.840 1/min (in opt. efficiency)             |
| Impeller type                             | radial                                       |
| Speed controllable                        | ✓  |
| Reversing capacity                        | –  |
| Type of voltage                           | Three-phase AC                               |
| Rated voltage                             | 400 V  |
| Frequency                                 | 50 Hz  |
| Nominal output                            | 1.120 W (in opt. efficiency)                 |
| I <sub>nom</sub>                          | 1,86 A (in opt. efficiency)                  |
| I <sub>max</sub>                          | 2,1 A  |
| Degree of protection                      | IP X5  |
| Insulation class                          | F  |
| Pole-changeable                           | –  |
| Installation site                         | Roof   |
| Installation position                     | vertical                                     |
| Weight                                    | 62 kg  |
| Weight including packaging                | 68,21 kg                                     |
| Swivellable                               | –  |
| Nominal size                              | 400 mm                                       |
| Width                                     | 890 mm                                       |
| Height                                    | 655 mm                                       |
| Depth                                     | 890 mm                                       |
| Width with packaging                      | 1.200 mm                                     |
| Height with packaging                     | 790 mm                                       |
| Depth with packaging                      | 1.200 mm                                     |
| Airstream temperature at I <sub>Max</sub> | -25 °C up to 60 °C                           |

# MDR 40 EC

|                   |               |
|-------------------|---------------|
| Temperature class | F             |
| Packing unit      | 1 piece       |
| Range             | E             |
| GTIN (EAN)        | 4012799870296 |

## Technical data according to ErP in Best Efficiency Point (BEP)

|  |   |
|--|---|
| Total efficiency $\eta$  | 52,5 %  |
| Efficiency level N   | 76,1  |
| Year of manufacture  | see rating plate  |
| Manufacturer's name / official registration number / manufacturer's place of establishment | Maico Elektroapparate-Fabrik GmbH / Freiburg registration court, HRB 601233 |
| Art. No.   | 0087.0029   |
| $P_{BEP}$ / Air volume $_{BEP}$ / $P_{fs, BEP}$  | 1,12 kW / 3.075 m <sup>3</sup> /h / 571 Pa                                  |
| Information about dismantling and disposal   | see mounting instructions   |
| Information about installation, operation and repairs                                      | see mounting instructions   |
| Objects used to measure efficiency which are not described by the measurement category     | -   |
| Sound power level $_{L_{WA5}}$   | 87 dB   |

## Sound power level in octave range

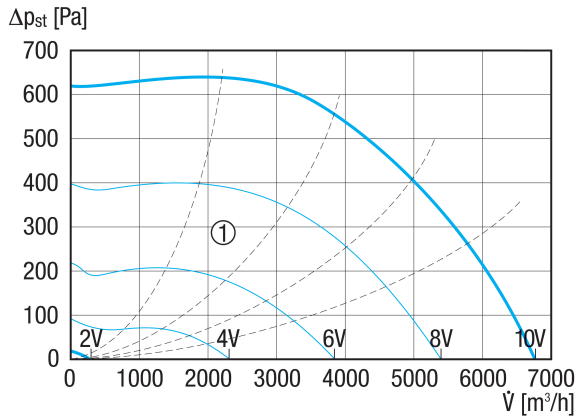
|                           | 63 Hz | 125 Hz | 250 Hz | 500 Hz | 1 kHz | 2 kHz | 4 kHz | 8 kHz | Total |
|---------------------------|-------|--------|--------|--------|-------|-------|-------|-------|-------|
| $L_{WA5, 2}$<br>V (dB(A)) | 17,3  | 26     | 32,6   | 36,7   | 45,1  | 30,6  | 14,2  | 9,8   | 45,6  |
| $L_{WA5, 4}$<br>V (dB(A)) | 39    | 44,2   | 50,9   | 53,5   | 56,1  | 60    | 50,9  | 34,8  | 62,8  |
| $L_{WA5, 6}$<br>V (dB(A)) | 39,7  | 55,9   | 61,3   | 65     | 66,5  | 69,3  | 67,3  | 52,6  | 73,7  |
| $L_{WA5, 8}$<br>V (dB(A)) | 45,9  | 63,2   | 68,7   | 72,2   | 73,9  | 77,4  | 74    | 69,4  | 81,4  |
| $L_{WA8, 2}$<br>V (dB(A)) | 18,3  | 28     | 33,3   | 38,4   | 47    | 30,6  | 15,1  | 9,8   | 47,6  |
| $L_{WA8, 4}$<br>V (dB(A)) | 40,4  | 45,3   | 50,4   | 57,2   | 59,7  | 59,5  | 51    | 35,9  | 64,2  |
| $L_{WA8, 6}$<br>V (dB(A)) | 43,9  | 57,2   | 60,4   | 67,7   | 70,4  | 70    | 66,8  | 54    | 75,3  |
| $L_{WA8, 8}$<br>V (dB(A)) | 50,7  | 64,8   | 67,9   | 74,7   | 77,7  | 78,5  | 74,7  | 69,2  | 83,1  |

$L_{WA5}$ = free inlet sound power level in dB.

$L_{WA8}$ = housing and free outlet sound power level in dB.

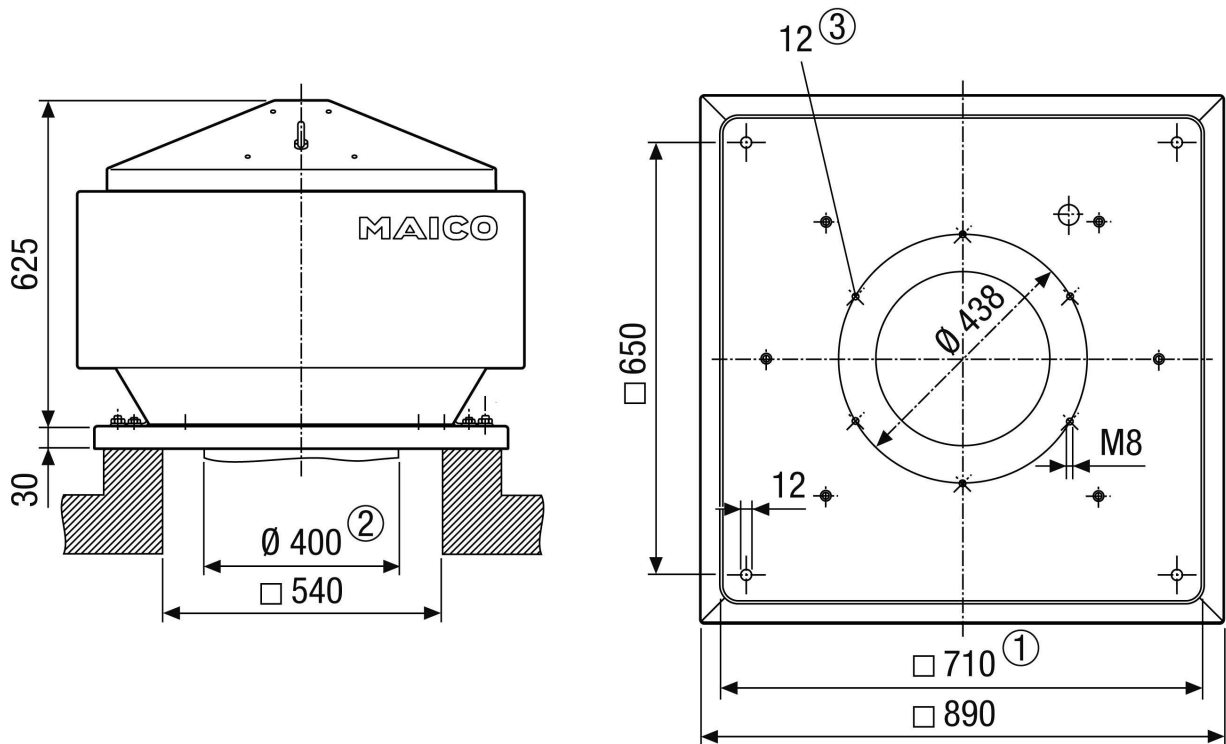
# MDR 40 EC

## Characteristic curve



① Auxiliary characteristics curves for control voltage 2 - 10 V

## Dimensioned drawing [mm]



- ① Clear width
- ② External duct diameter
- ③ Number of holes

# MDR 40 EC

