

MDR 45 EC



Short description

Centrifugal roof fan with EC motor, DN 450

Application examples

Workplace, Production facility, Industrial building, Assembly hall, Commercial premises

Article number 0087.0030

Technical data

Air flow volume	11.010 m ³ /h
Air volume _{nom}	6.260 m ³ /h (in opt. efficiency)
Pressure p _{fs, nom}	895 Pa (in opt. efficiency)
Rotating speed n _{nom}	2.120 1/min (in opt. efficiency)
Impeller type	radial
Speed controllable	✓
Reversing capacity	–
Type of voltage	Three-phase AC
Rated voltage	400 V
Frequency	50 Hz
Nominal output	2.977 W (in opt. efficiency)
I _{nom}	4,6 A (in opt. efficiency)
I _{max}	5,3 A
Degree of protection	IP X5
Insulation class	F
Pole-changeable	–
Installation site	Roof
Installation position	vertical
Weight	82,6 kg
Weight including packaging	96 kg
Swivellable	–
Nominal size	450 mm
Width	980 mm
Height	713 mm
Depth	980 mm
Width with packaging	1.200 mm
Height with packaging	854 mm
Depth with packaging	1.200 mm
Airstream temperature at I _{Max}	-25 °C up to 60 °C

MDR 45 EC

Temperature class	F
Packing unit	1 piece
Range	E
GTIN (EAN)	4012799870302

Technical data according to ErP in Best Efficiency Point (BEP)

Total efficiency η	52,3 %
Efficiency level N	65,6
Year of manufacture	see rating plate
Manufacturer's name / official registration number / manufacturer's place of establishment	Maico Elektroapparate-Fabrik GmbH / Freiburg registration court, HRB 601233
Art. No.	0087.0030
P_{BEP} / Air volume $_{BEP}$ / $P_{fs, BEP}$	2,977 kW / 6.260 m ³ /h / 895 Pa
Information about dismantling and disposal	see mounting instructions
Information about installation, operation and repairs	see mounting instructions
Objects used to measure efficiency which are not described by the measurement category	-
Sound power level $_{L_{WA5}}$	93 dB

Sound power level in octave range

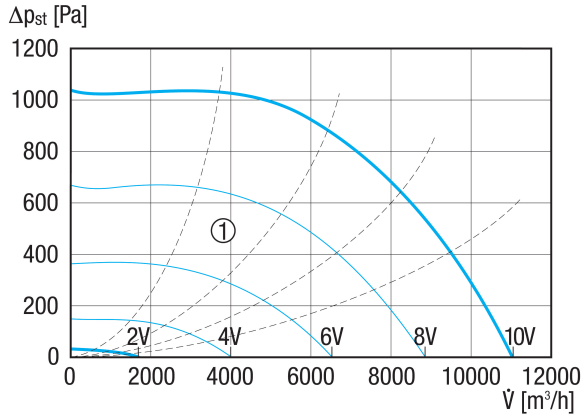
	63 Hz	125 Hz	250 Hz	500 Hz	1 kHz	2 kHz	4 kHz	8 kHz	Total
$L_{WA5, 2}$ V (dB(A))	20	30,8	38,9	40	53,6	47,5	29	10,2	54,9
$L_{WA5, 4}$ V (dB(A))	38	49	55,8	59,5	62,1	63,2	64,5	47,1	69
$L_{WA5, 6}$ V (dB(A))	47,2	61,7	66,2	70,3	72,8	74,8	72,2	70,7	79,7
$L_{WA5, 8}$ V (dB(A))	53,8	63	74	78	81,3	83,3	80,7	80,5	88,3
$L_{WA8, 2}$ V (dB(A))	25,2	32,7	41,5	42,8	52,8	44,7	28,9	10,4	54
$L_{WA8, 4}$ V (dB(A))	43,1	54,2	56,9	62,7	65,2	63,6	63,2	48	70,1
$L_{WA8, 6}$ V (dB(A))	51,6	63,9	67,1	73,2	75,8	75,6	72,7	69,9	81,1
$L_{WA8, 8}$ V (dB(A))	58,5	69,6	77,7	80,6	83,2	83,6	81,1	77,5	89

L_{WA5} = free inlet sound power level in dB.

L_{WA8} = housing and free outlet sound power level in dB.

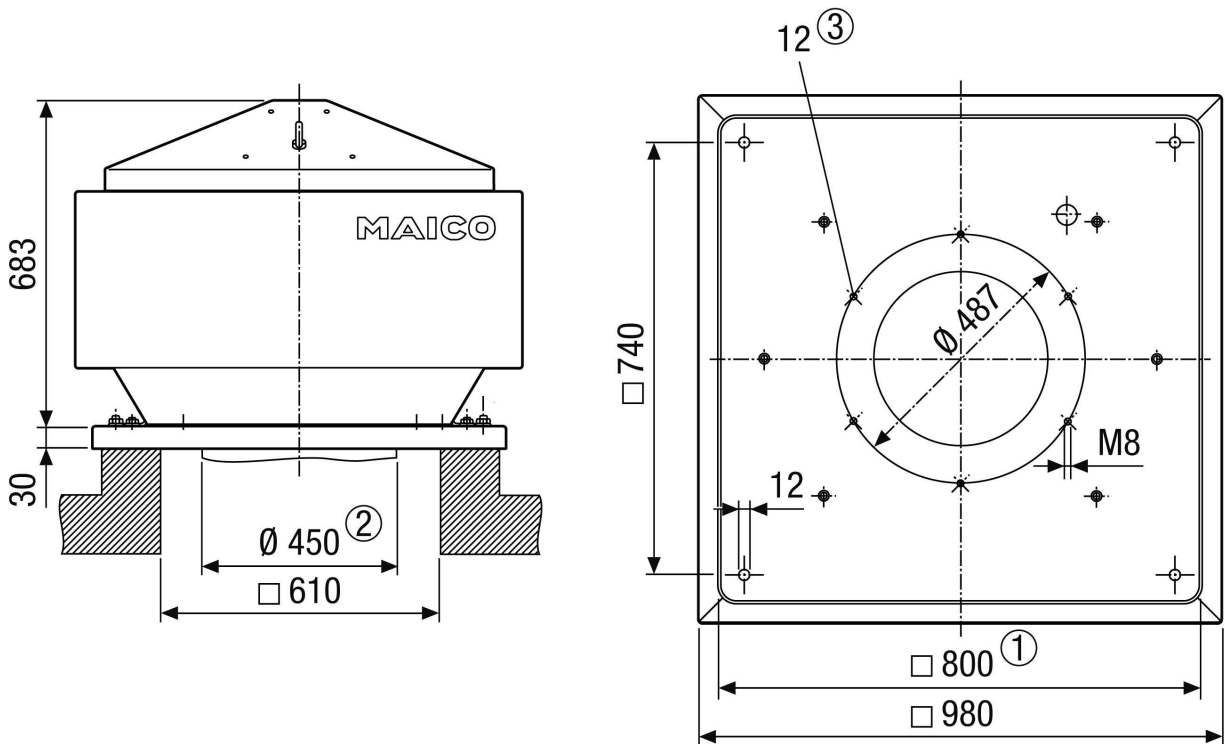
MDR 45 EC

Characteristic curve



① Auxiliary characteristics curves for control voltage 2 - 10 V

Dimensioned drawing [mm]



- ① Clear width
- ② External duct diameter
- ③ Number of holes

MDR 45 EC

