

# MF-V90-8



## Short description

Air distributor made of sound-insulating plastic, with 2 service openings, for 8 x MF-F90 flexible ducts, DN 160 feed duct, width x height x depth: 710 x 185 x 350 mm

## Application examples

Single-family house, Multiple family unit, Industrial building, Office buildings, Modernizations

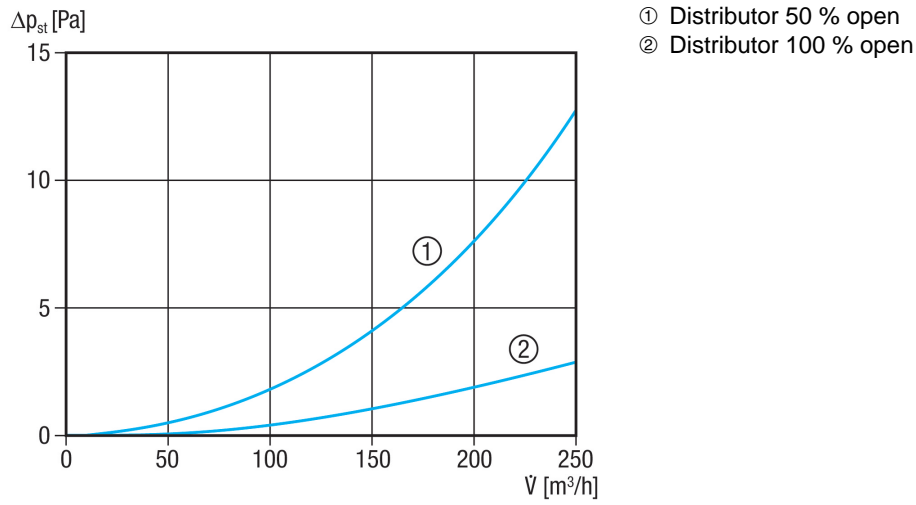
Article number 0059.0979

## Technical data

Air direction	Ventilation and air extraction
Volumetric flow	300 m <sup>3</sup> /h (recommended)
Installation site	Ceiling / Wall / Floor
Material	Plastic EPP
Synthetic material definition	PVC-free
Weight	1,84 kg
Weight including packaging	1,97 kg
Connection diameter	160 mm
Flexible steel duct connection diameter	90 mm
Number of couplings	8
Width	710 mm
Height	185 mm
Depth	350 mm
Width with packaging	712 mm
Height with packaging	187 mm
Depth with packaging	392 mm
Packing unit	1 piece
Range	K
GTIN (EAN)	4012799599791

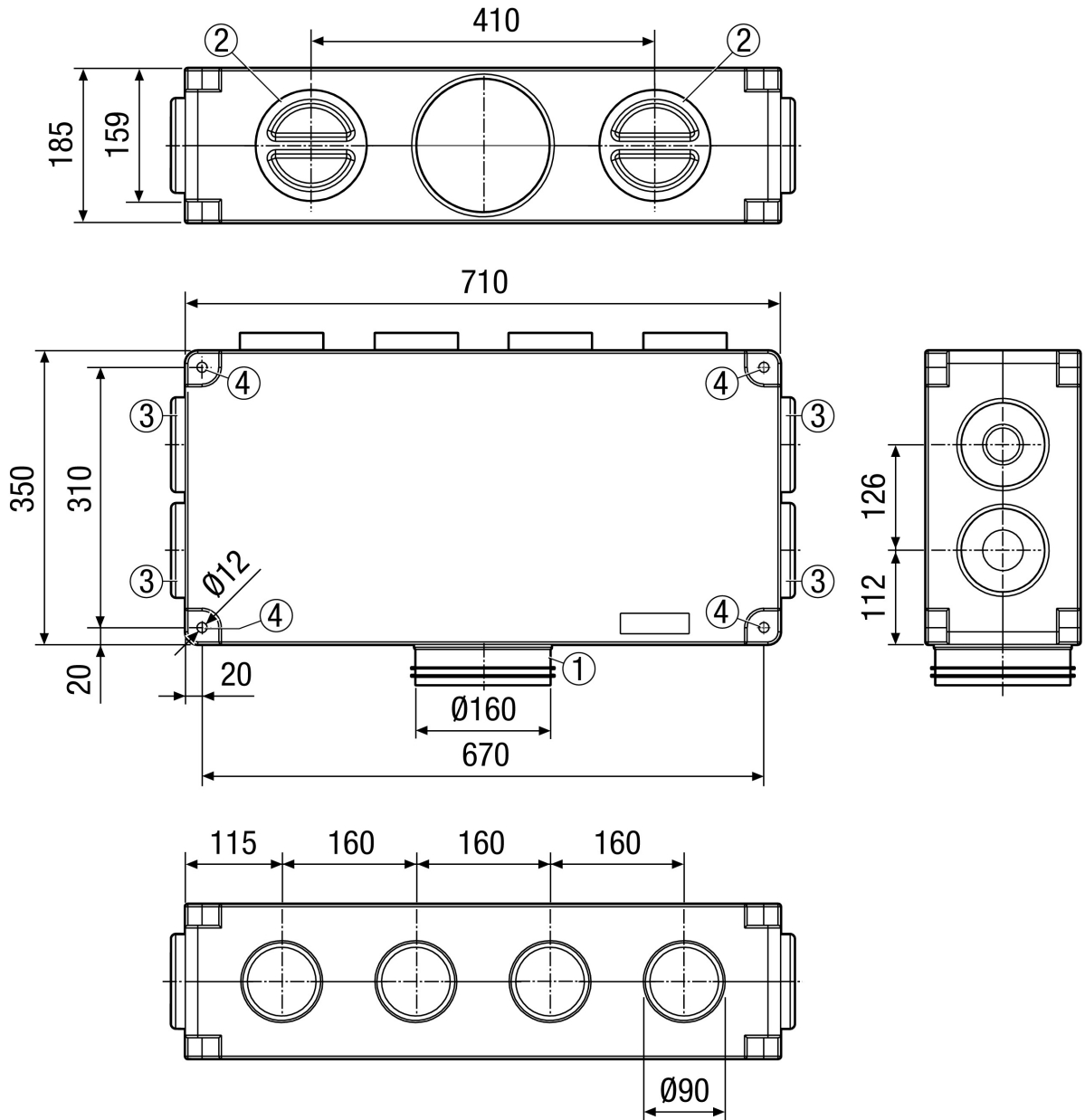
# MF-V90-8

## Characteristic curve



# MF-V90-8

Dimensioned drawing [mm]



- ① Ventilation unit connection
- ② Service openings
- ③ MF-F flexible steel duct connections
- ④ Mounting holes for threaded rods