

# MF-VK90-7



## Short description

Compact air distributor made of sound-insulating plastic, two service openings, for 7 x MF-F90 flexible duct, DN 125 feed duct with SVR 125 plug connector or DN 160 feed duct with folded spiral-seams duct, width x height x depth: 300 x 490 x 220 mm

## Application examples

Single-family house, Multiple family unit, Industrial building, Office buildings, Modernizations

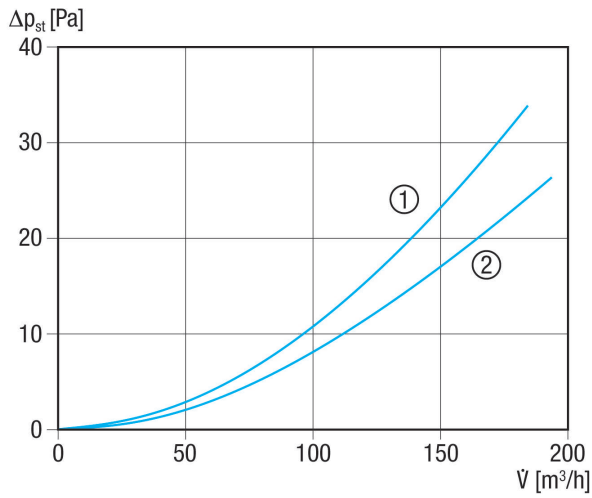
Article number 0059.0994

## Technical data

Air direction	Ventilation and air extraction
Volumetric flow	160 m <sup>3</sup> /h (recommended)
Installation site	Ceiling / Wall / Floor
Material	Plastic EPP
Synthetic material definition	PVC-free
Weight	0,79 kg
Weight including packaging	0,87 kg
Connection diameter	125 mm / 160 mm
Flexible steel duct connection diameter	90 mm
Number of couplings	7
Width	300 mm
Height	217,5 mm
Depth	485 mm
Width with packaging	305 mm
Height with packaging	225 mm
Depth with packaging	492 mm
Packing unit	1 piece
Range	K
GTIN (EAN)	4012799599944

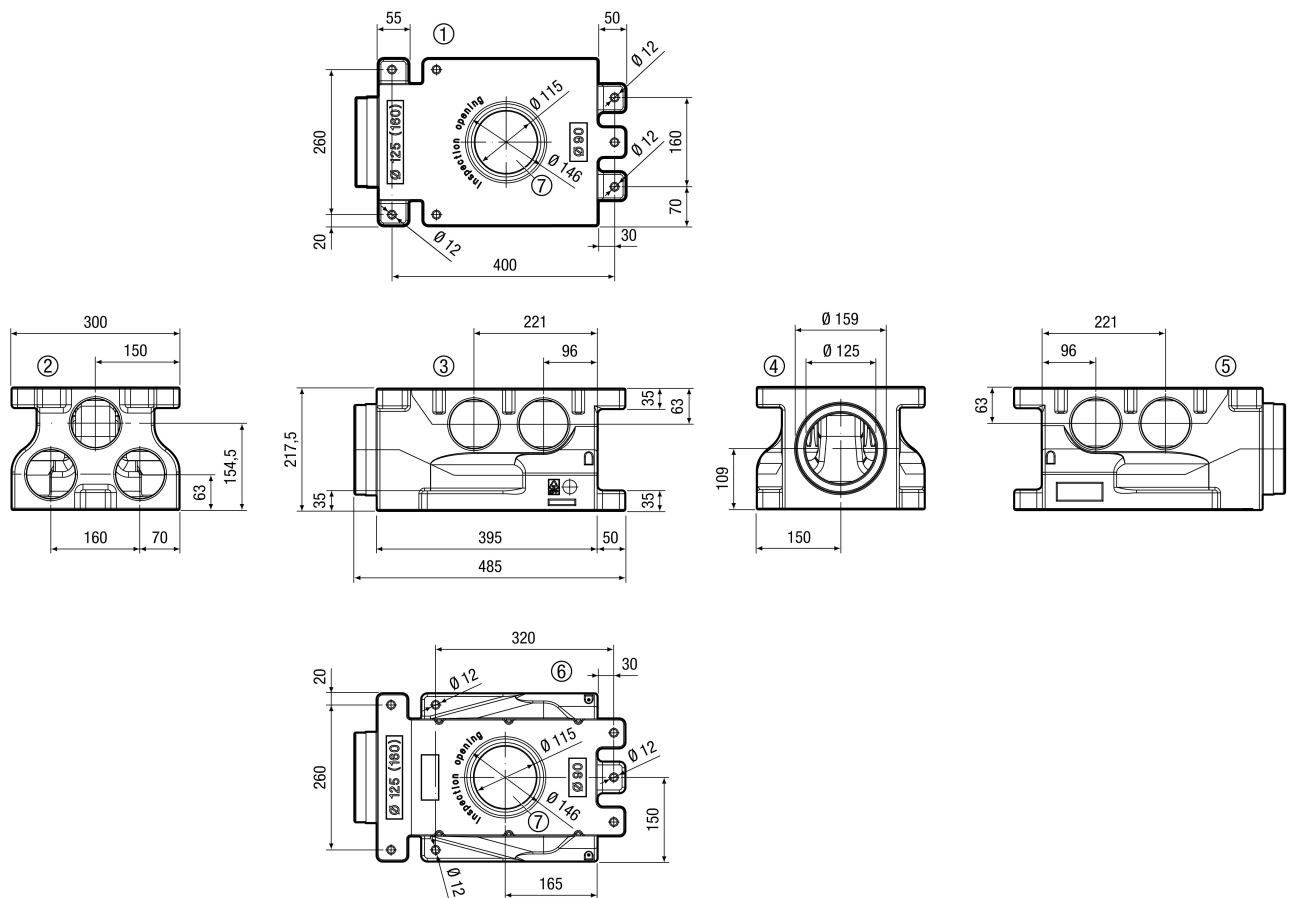
# MF-VK90-7

## Characteristic curve



- ① Sockets 1, 2, 6 and 7 open
- ② Sockets 3, 4 and 5 open

## Dimensioned drawing [mm]



- ① Bottom view
- ② Side view from right



# MF-VK90-7

- ③ Front view
- ④ Side view from left
- ⑤ Rear view
- ⑥ View from above
- ⑦ Service opening