

MF-WE63



Short description

Slide-in adapter for connection of 2 MF-F63 flexible ducts to MF-W/-WL.. 80/150 bracket, incl. 1 sealing plug

Application examples

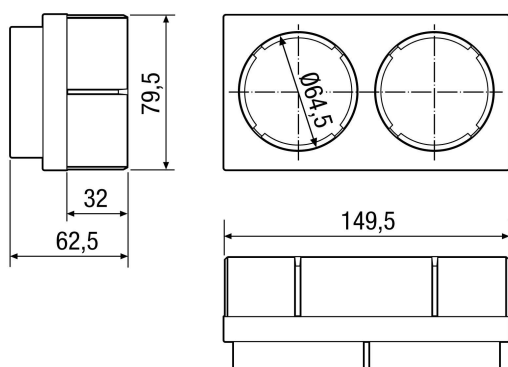
Single-family house, Multiple family unit, Industrial building, Office buildings, Modernizations

Article number 0059.0966

Technical data

Air direction	Ventilation and air extraction
Material	Polypropylene (PP)
Synthetic material definition	PVC-free
Weight	0,1 kg
Weight including packaging	0,1 kg
Nominal size	63 mm
Width	149,5 mm
Height	79,5 mm
Depth	62,5 mm
Width with packaging	149,5 mm
Height with packaging	79,5 mm
Depth with packaging	62,5 mm
Packing unit	1 piece
Range	K
GTIN (EAN)	4012799599661

Dimensioned drawing [mm]



MF-WE63

