

# MF-WE75



## Short description

Slide-in adapter for connection of 2 MF-F75 flexible ducts to MF-W/-WL.. 80/200 bracket, incl. 1 sealing plug

## Application examples

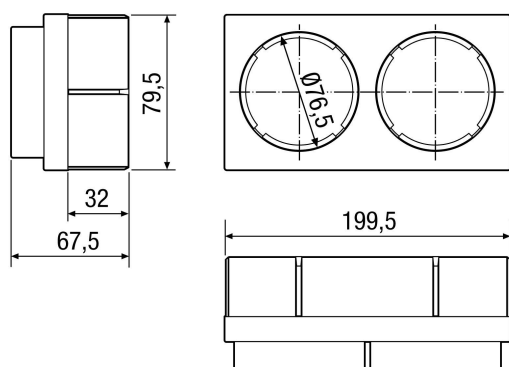
Single-family house, Multiple family unit, Industrial building, Office buildings, Modernizations

Article number 0059.0972

## Technical data

Air direction	Ventilation and air extraction
Material	Polypropylene (PP)
Synthetic material definition	PVC-free
Weight	0,1 kg
Weight including packaging	0,13 kg
Nominal size	75 mm
Width	199,5 mm
Height	79,5 mm
Depth	67,5 mm
Width with packaging	199,5 mm
Height with packaging	79,5 mm
Depth with packaging	67,5 mm
Packing unit	1 piece
Range	K
GTIN (EAN)	4012799599722

## Dimensioned drawing [mm]



MF-WE75

