

MF-WL125 80/150



Short description

Bracket for 90° coupling of MF-WE63 slide-in adaptor onto DN 125 valve, 80 mm high, connector length 310 mm

Application examples

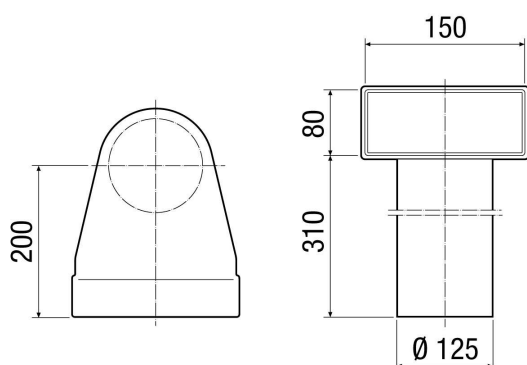
Single-family house, Multiple family unit, Industrial building, Office buildings, Modernizations

Article number 0018.0499

Technical data

Air direction	Ventilation and air extraction
Installation site	Ceiling / Floor / Wall
Material	Sheet steel, galvanised
Weight	1 kg
Weight including packaging	1 kg
Nominal size	125 mm
Width	262,5 mm
Height	390 mm
Depth	150 mm
Width with packaging	262,5 mm
Height with packaging	390 mm
Depth with packaging	150 mm
Packing unit	1 piece
Range	K
GTIN (EAN)	4012799184997

Dimensioned drawing [mm]



MF-WL125 80/150

