

MF-WL150 80/200



Short description

Bracket for 90° coupling of MF-WE75 slide-in adaptor onto DN 150 valve, 80 mm high, connector length 310 mm

Application examples

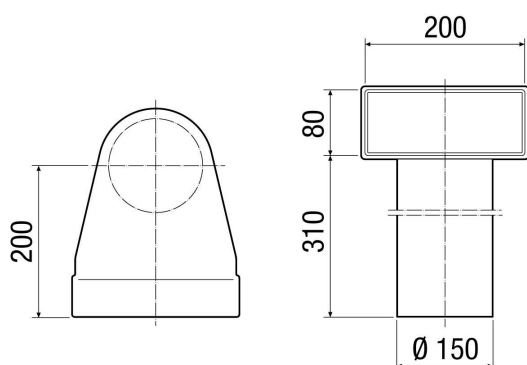
Single-family house, Multiple family unit, Industrial building, Office buildings, Modernizations

Article number 0018.0497

Technical data

Air direction	Ventilation and air extraction
Installation site	Ceiling / Floor / Wall
Material	Sheet steel, galvanised
Weight	1,19 kg
Weight including packaging	1,2 kg
Nominal size	150 mm
Width	275 mm
Height	390 mm
Depth	200 mm
Width with packaging	275 mm
Height with packaging	390 mm
Depth with packaging	200 mm
Packing unit	1 piece
Range	K
GTIN (EAN)	4012799184973

Dimensioned drawing [mm]



MF-WL150 80/200

