

MLA 30



Short description

External grille, aluminium, DN 300

Article number 0151.0113

Technical data

Air direction	Ventilation and air extraction
Min. flow velocity	
Max. flow velocity	4 m/s
Installation	outside
Installation site	Wall
Material	Aluminium
Colour	Anodised aluminium
Weight	1,7 kg
Weight including packaging	1,9 kg
Suitable for nominal size	300 mm
Open cross section	580 cm ²
Width	352 mm
Height	330 mm
Depth	52 mm
Width with packaging	385 mm
Height with packaging	385 mm
Depth with packaging	60 mm
Packing unit	1 piece
Range	C
GTIN (EAN)	4012799511137

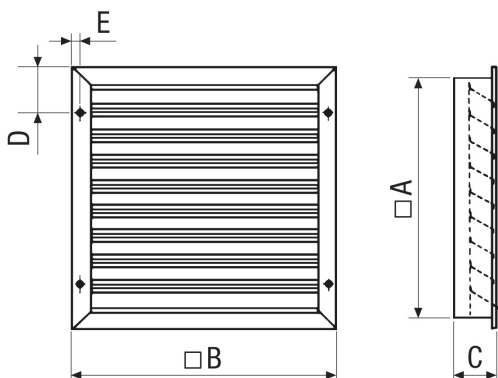
MLA 30

Characteristic curve Pressure losses



- ① MLA 20, MLZ 20
- ② MLA 25, MLZ 25
- ③ MLA 30, MLZ 30
- ④ MLA 35, MLZ 35
- ⑤ MLA 40, MLZ 40
- ⑥ MLA 50, MLZ 50

Dimensioned drawing [mm]



A	B	C	D	E
330	352	52	61,5	8

- ① Number of lamellae 10
- ② Mesh size of small animal guard 7.3 x 0.8