

PDH 20



Short description

Portable fan heater, three-phase AC

Application examples

Workplace, Building container, Garage

Article number 0082.0084

Technical data

Air flow volume	1.900 m ³ /h / 2.500 m ³ /h
Type of voltage	Three-phase AC
Rated voltage	400 V
Power consumption	20.000 W
I _{max}	13,9 A / 29,4 A
Degree of protection	IP X4
Electrical plug-type connection	CEE, 32A
Installation position	horizontal
Housing material	Sheet steel, powder coated
Weight	32
Ambient temperature	40 °C
Heater power rating	10.000 W / 20.000 W
Sound pressure level	61 dB(A)
Packing unit	1 piece
Range	C
GTIN (EAN)	4012799820840

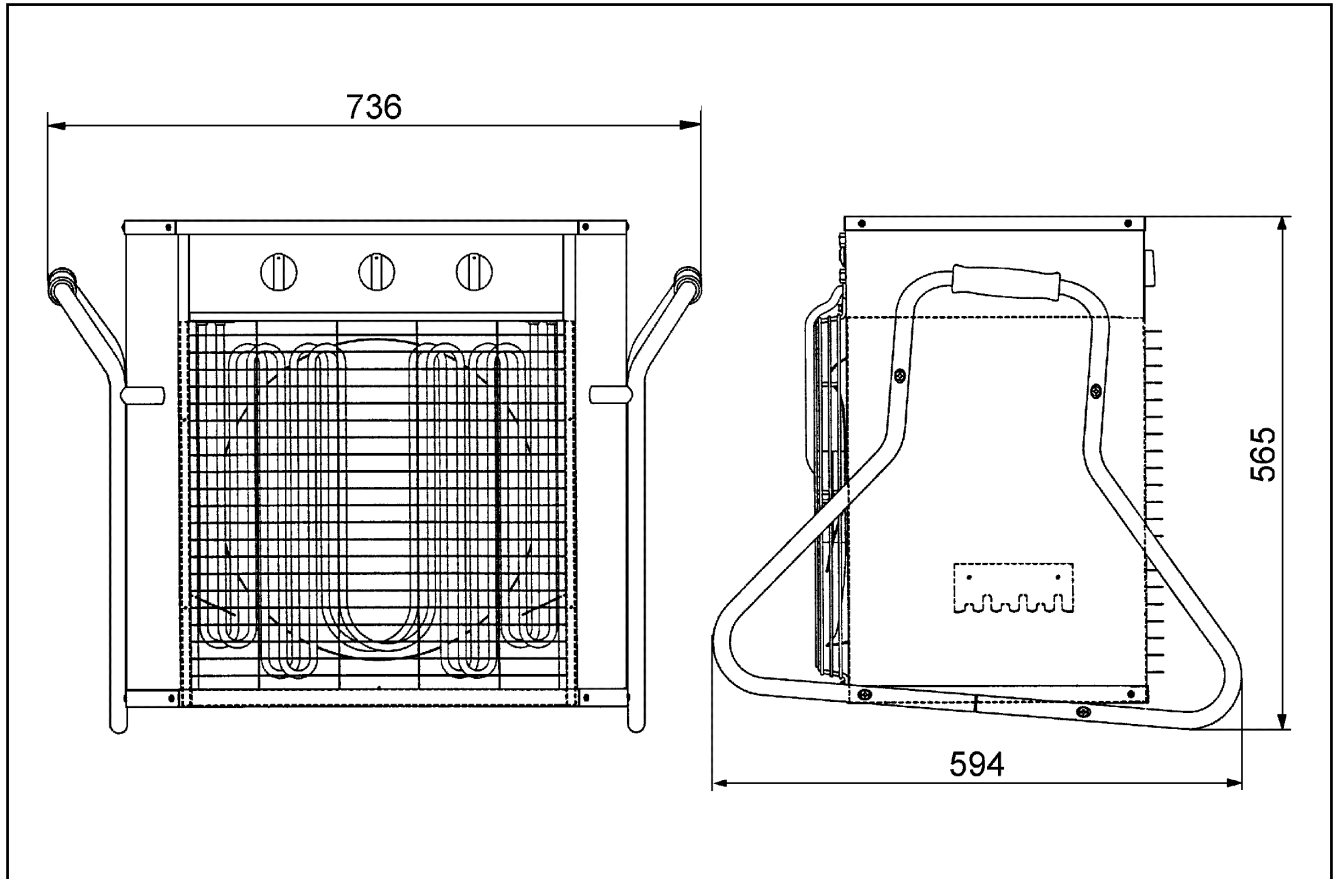
Sound power level in octave range

	63 Hz	125 Hz	250 Hz	500 Hz	1 kHz	2 kHz	4 kHz	8 kHz	Total
L _{WA1, high} (dB(A))	-	-	-	-	-	-	-	-	77

L_{WA1} = Total sound power level of greenhouse fans or air purifiers, free-suction and free-blowing

PDH 20

Dimensioned drawing [mm]



PDH 20