

PPB 30 AE



Short description

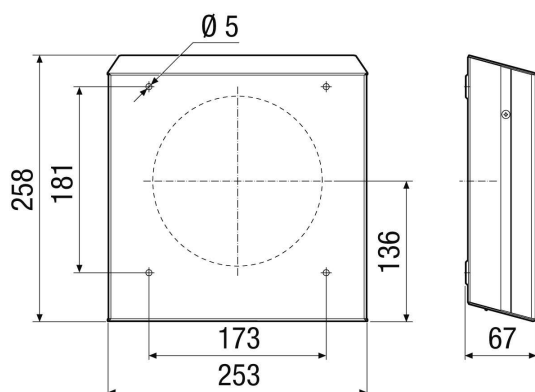
A stainless steel (V4A) external cover, colour: brushed stainless steel, is needed as an accessory for the PPB 30 K and PPB 30 O final assembly kits.

Article number 0093.1499

Technical data

Installation site	Outside wall
Installation position	horizontal
Housing material	Stainless steel, brushed
Colour	Stainless steel, brushed
Weight	1,6 kg
Weight including packaging	1,8 kg
Width	253 mm
Height	258 mm
Depth	67 mm
Width with packaging	295 mm
Height with packaging	320 mm
Depth with packaging	86 mm
Packing unit	1 piece
Range	K
GTIN (EAN)	4012799991762

Dimensioned drawing [mm]



PPB 30 AE

