

PPB 30 AK



Short description

A plastic external cover, colour: traffic white, similar to RAL 9016, is needed as an accessory for the PPB 30 K and PPB 30 O final assembly kits.

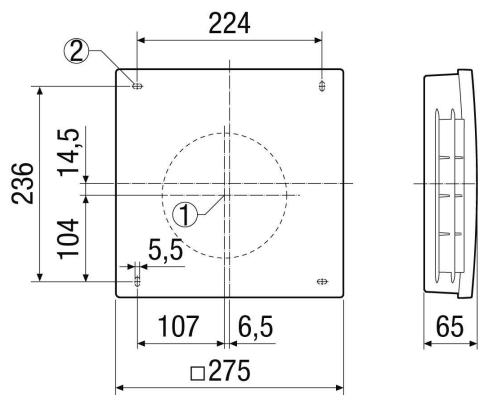
Article number 0093.1498

Technical data

Installation site	Outside wall
Installation position	horizontal
Material	Synthetic material
Housing material	Synthetic material
Colour	Traffic white, similar to RAL 9016
Weight	0,85 kg
Weight including packaging	1,06 kg
Width	275 mm
Height	275 mm
Depth	65 mm
Width with packaging	295 mm
Height with packaging	320 mm
Depth with packaging	87 mm
Packing unit	1 piece
Range	K
GTIN (EAN)	4012799991755

PPB 30 AK

Dimensioned drawing [mm]



- ① Wall sleeve centre
- ② Fixing holes