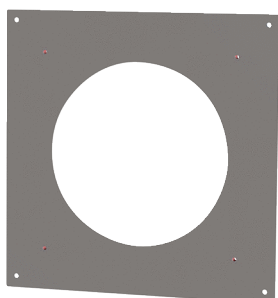


PPB 30 ARE BB



Short description

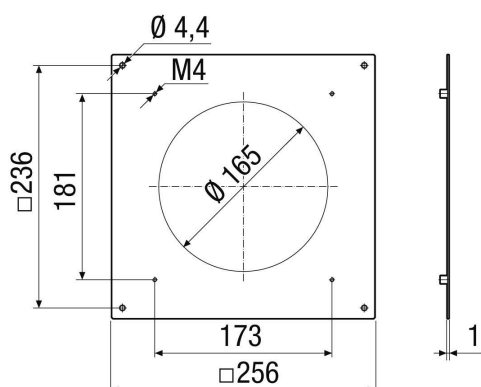
Stainless steel (V4A) fixing plate, brushed stainless steel colour needed as accessory for PPB 30 ARE compensating frame

Article number 0093.1526

Technical data

Installation site	Outside wall
Installation position	horizontal
Material	Stainless steel, brushed
Colour	Stainless steel, brushed
Weight	0,39 kg
Weight including packaging	0,5 kg
Width	256 mm
Height	256 mm
Depth	1 mm
Width with packaging	295 mm
Height with packaging	320 mm
Depth with packaging	8 mm
Packing unit	1 piece
Range	K
GTIN (EAN)	4012799991731

Dimensioned drawing [mm]



PPB 30 ARE BB

