

PPB 30 AS



Short description

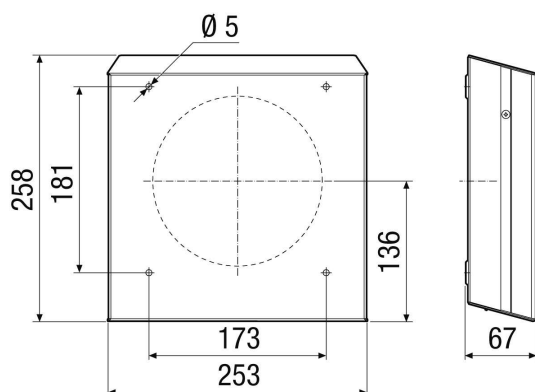
An aluminium external cover, colour: powder coated anthracite, similar to RAL 7016, is needed as an accessory for the PPB 30 K and PPB 30 O final assembly kits

Article number 0093.0613

Technical data

Installation site	Outside wall
Installation position	horizontal
Housing material	Aluminium
Colour	anthracite powder-coated, similar to RAL 7016
Weight	0,75 kg
Weight including packaging	0,95 kg
Width	253 mm
Height	258 mm
Depth	67 mm
Width with packaging	295 mm
Height with packaging	320 mm
Depth with packaging	86 mm
Packing unit	1 piece
Range	K
GTIN (EAN)	4012799936138

Dimensioned drawing [mm]



PPB 30 AS

