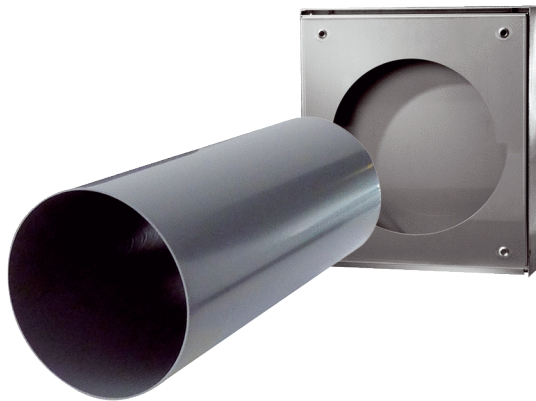


PP 60 KA-SRL



Short description

Shell kit comprising stainless steel external cover, extra long wall sleeve (700 mm) and plaster protective covers for PushPull 60 K single-room air extraction unit with heat recovery

Application examples

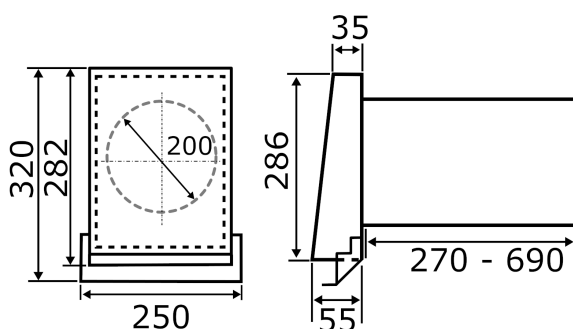
Single-family house, Multiple family unit, Office, Doctor's practice, Commercial premises

Article number 0095.0216

Technical data

Air flow volume	17 m³/h / 22 m³/h / 30 m³/h / 41 m³/h / 50 m³/h
Installation site	Outside wall
Installation position	horizontal
Material	Stainless steel
Colour	Stainless steel, brushed
Weight	2,582 kg
Weight including packaging	3,508 kg
Nominal size	200 mm
Width	745 mm
Height	286 mm
Depth	250 mm
Width with packaging	715 mm
Height with packaging	280 mm
Depth with packaging	275 mm
Packing unit	1 piece
Range	K
GTIN (EAN)	4012799952169

Dimensioned drawing [mm]



PP 60 KA-SRL

