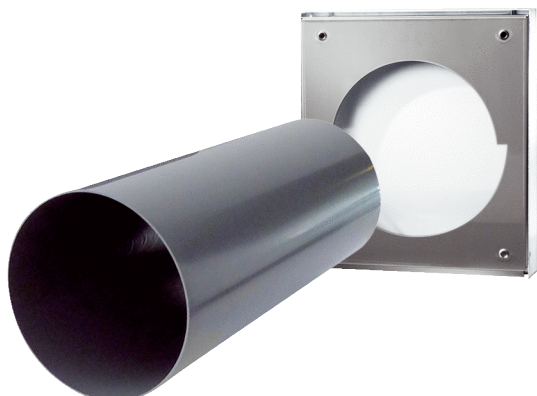


PP 60 KA-SRW



Short description

Shell kit comprising external cover made from galvanised sheet steel (white), wall sleeve and plaster protective covers for PushPull 60 K single-room air extraction unit with heat recovery

Application examples

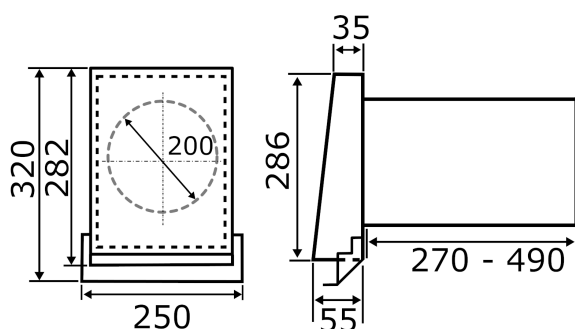
Single-family house, Multiple family unit, Office, Doctor's practice, Commercial premises

Article number 0095.0215

Technical data

Air flow volume	17 m³/h / 22 m³/h / 30 m³/h / 41 m³/h / 50 m³/h
Installation site	Outside wall
Installation position	horizontal
Material	Sheet steel, galvanised
Colour	Pure white, similar to RAL 9010
Weight	2,2 kg
Weight including packaging	3,052 kg
Nominal size	200 mm
Width	545 mm
Height	286 mm
Depth	250 mm
Width with packaging	280 mm
Height with packaging	280 mm
Depth with packaging	510 mm
Packing unit	1 piece
Range	K
GTIN (EAN)	4012799952152

Dimensioned drawing [mm]



PP 60 KA-SRW

