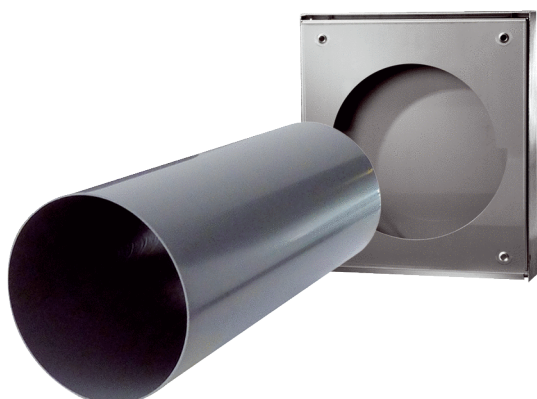


# PP 60 KA-SR



## Short description

Shell kit comprising stainless steel external cover, wall sleeve and plaster protective covers for PushPull 60 K single-room air extraction unit with heat recovery

## Application examples

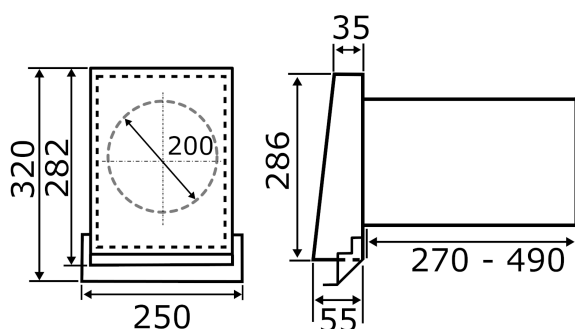
Single-family house, Multiple family unit, Office, Doctor's practice, Commercial premises

Article number 0095.0205

## Technical data

Air flow volume	17 m³/h / 22 m³/h / 30 m³/h / 41 m³/h / 50 m³/h
Installation site	Outside wall
Installation position	horizontal
Material	Stainless steel
Colour	Stainless steel, brushed
Weight	2,2 kg
Weight including packaging	2,988 kg
Nominal size	200 mm
Width	286 mm
Height	250 mm
Depth	503 mm
Width with packaging	270 mm
Height with packaging	275 mm
Depth with packaging	615 mm
Packing unit	1 piece
Range	K
GTIN (EAN)	4012799952053

## Dimensioned drawing [mm]



PP 60 KA-SR

