

REDA55/220/80/2



Short description

Reducer 55/220 to 80/200, asymmetrical

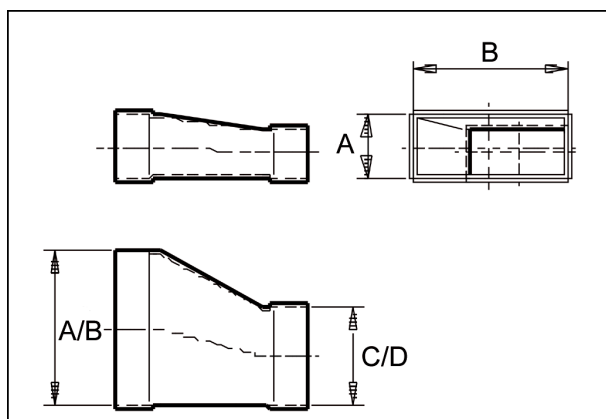
Article number

0055.0711

Technical data

Housing material	Sheet steel, Sendzimir galvanised
Weight including packaging	0 kg
Channel dimension	220 mm x x 55 mm
Reduction to channel dimension	x/ x
Width with packaging	0 mm
Height with packaging	0 mm
Depth with packaging	0 mm
Packing unit	1 piece
Range	K
GTIN (EAN)	4012799557111

Dimensioned drawing [mm]



A	B	C	D
55	220	80	200