

REDA70/170/80



Short description

Reducer 70/170 to 80/100, asymmetrical

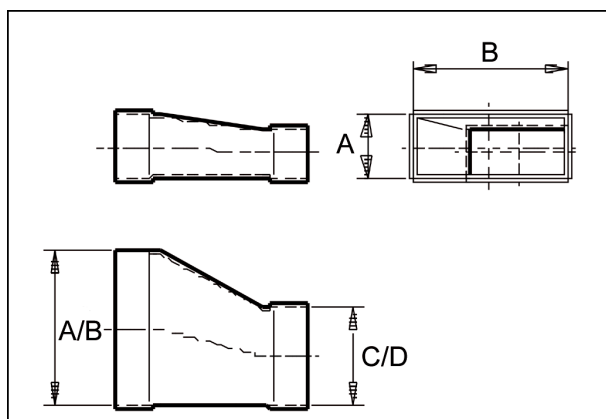
Article number

0055.0713

Technical data

Housing material	Sheet steel, Sendzimir galvanised
Weight including packaging	0 kg
Channel dimension	170 mm x x 70 mm
Reduction to channel dimension	x/ x
Width with packaging	0 mm
Height with packaging	0 mm
Depth with packaging	0 mm
Packing unit	1 piece
Range	K
GTIN (EAN)	4012799557135

Dimensioned drawing [mm]



A	B	C	D
70	170	80	100