

# REDS55/220/55



## Short description

Reducer 55/220 to 55/110, symmetrical

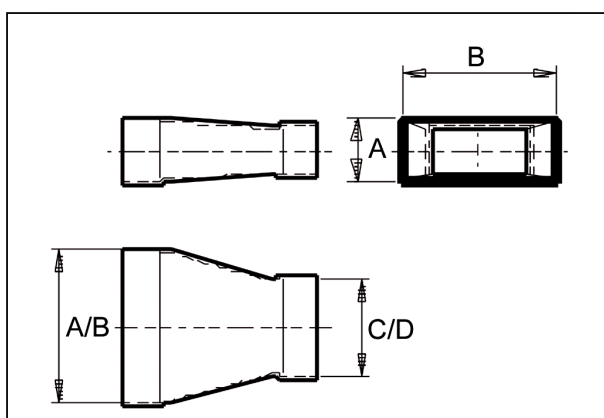
Article number

0055.0692

## Technical data

Material	Sheet steel, Sendzimir galvanised
Channel dimension	220 mm x x 55 mm
Reduction to channel dimension	x/ x org.mozilla.javascript.Undefined@f59b6
Packing unit	1 piece
Range	K
GTIN (EAN)	4012799556923

## Dimensioned drawing [mm]



A	B	C	D
55	220	55	110