

# RKP 22



## Short description

Electrical channel shutter

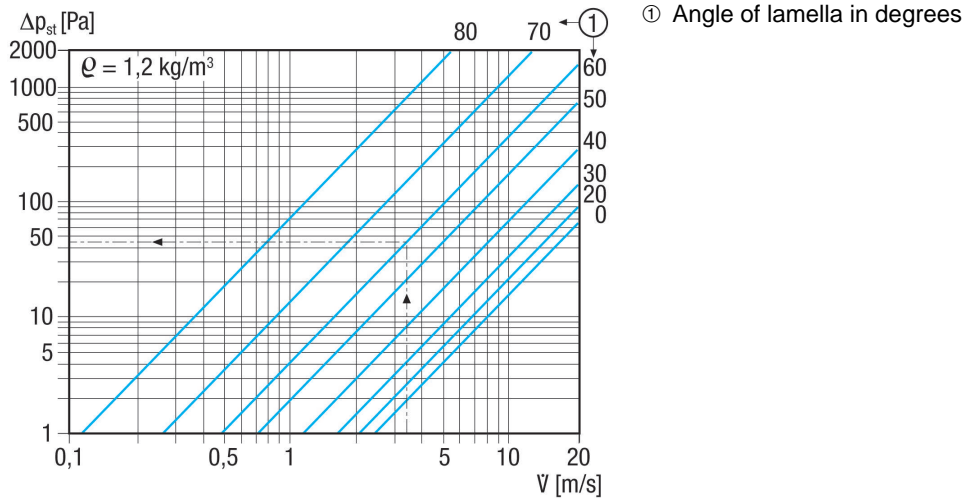
Article number 0151.0235

## Technical data

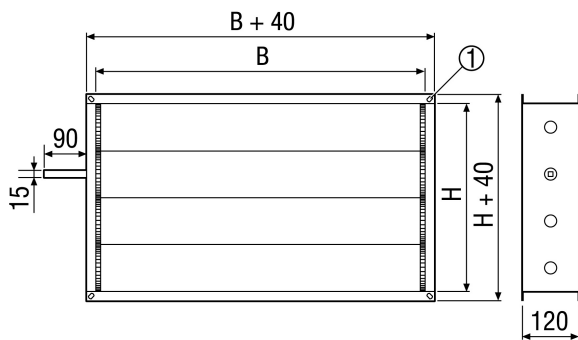
Air direction	Ventilation and air extraction
Installation site	Channel
Installation position	vertical / horizontal
Material	Sheet steel, galvanised
Weight	4,89 kg
Weight including packaging	5,06 kg
Type of shutter	electrical
Channel dimension	500 mm x 250 mm
Width	540 mm
Height	290 mm
Depth	120 mm
Width with packaging	640 mm
Height with packaging	290 mm
Depth with packaging	130 mm
Packing unit	1 piece
Range	D
GTIN (EAN)	4012799512356

# RKP 22

## Characteristic curve Pressure losses



## Dimensioned drawing [mm]



B	H
500	250

① Slot, 9 x 12 mm