

RKP 28



Short description

Electrical channel shutter

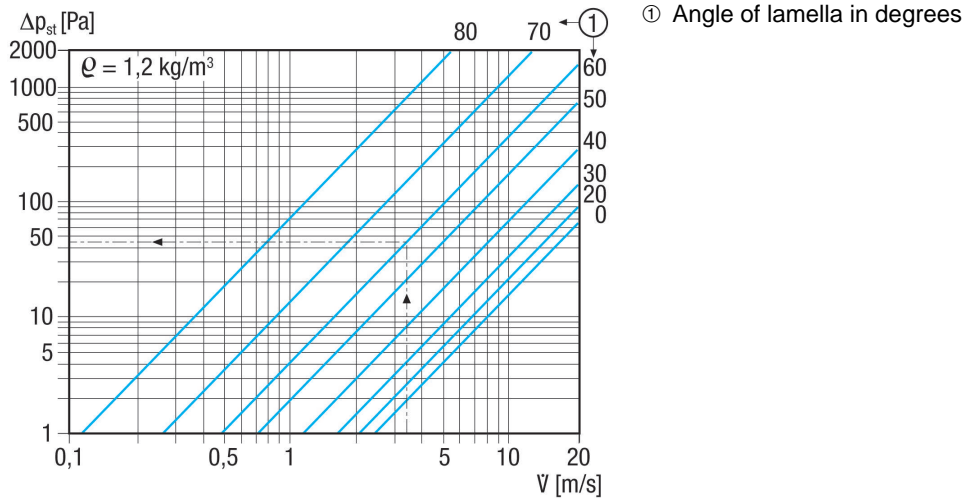
Article number 0151.0237

Technical data

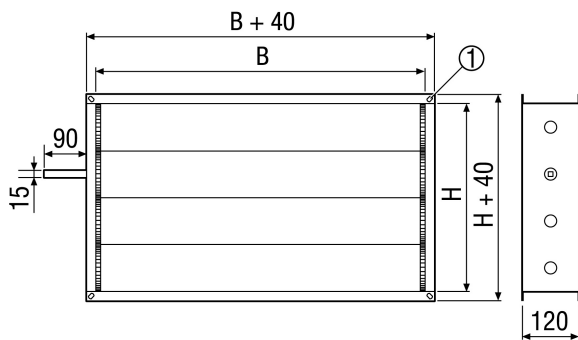
Air direction	Ventilation and air extraction
Installation site	Channel
Installation position	vertical / horizontal
Material	Sheet steel, galvanised
Weight	6 kg
Weight including packaging	6,2 kg
Type of shutter	electrical
Channel dimension	600 mm x 300 mm
Width	540 mm
Height	340 mm
Depth	120 mm
Width with packaging	735 mm
Height with packaging	340 mm
Depth with packaging	125 mm
Packing unit	1 piece
Range	D
GTIN (EAN)	4012799512370

RKP 28

Characteristic curve Pressure losses



Dimensioned drawing [mm]



B	H
600	300

① Slot, 9 x 12 mm